



LANDING LEG SECTION

SECTION 7



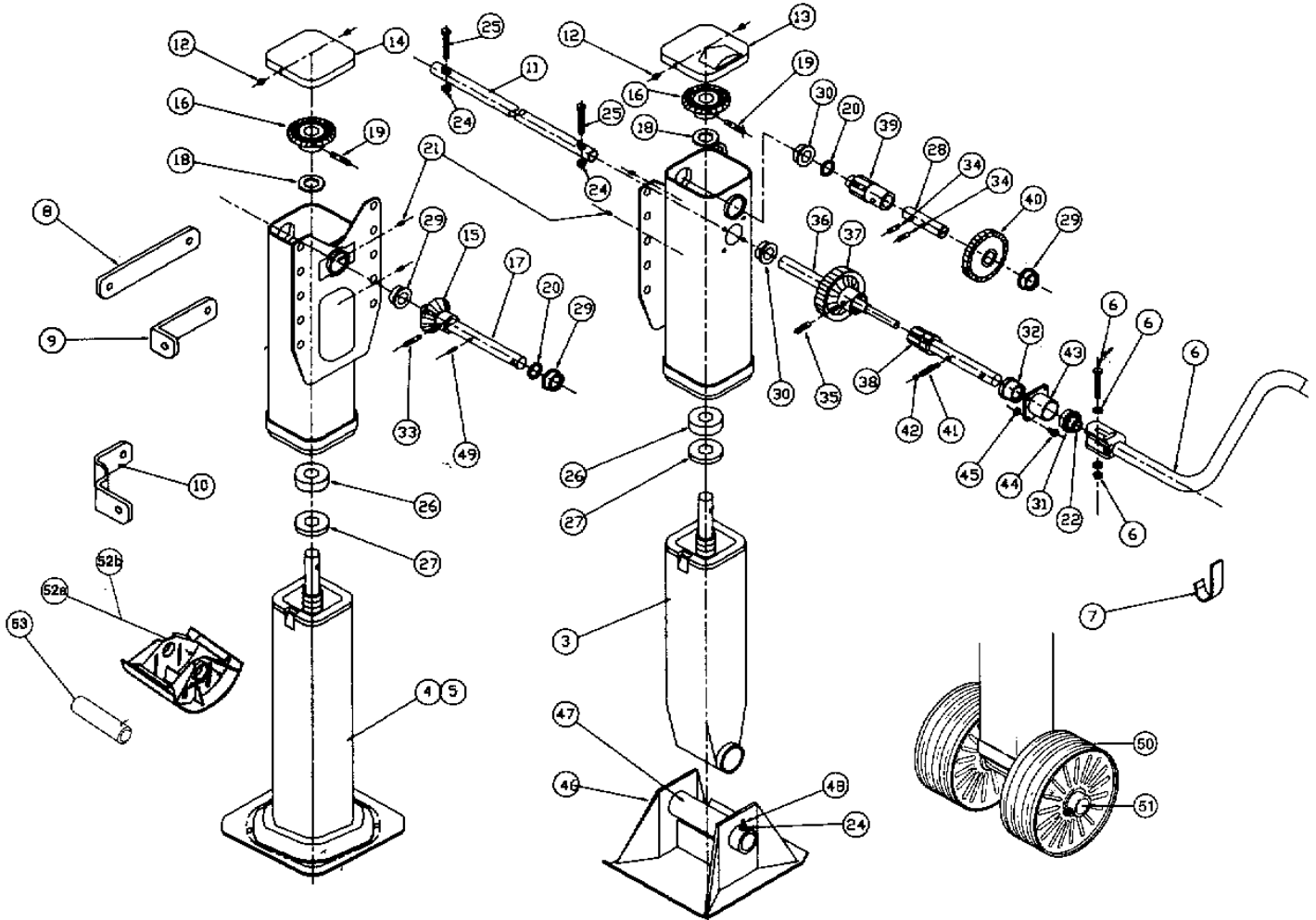
HOLLAND MARK V SERIES

ITEM	DESCRIPTION	LG75	EX75 & EXA75	LGS
4	ROLL PIN – 3/8" x 3"	HDW-RP-0375-30	HDW-RP-0375-30	HDW-RP-0375-30
5	THRUST WASHER	HOL-V1913	HOL-V1913	HOL-V06629
6	BEARING – STANDARD DUTY	HOL-V647	HOL-V647	HOL-V647
7	WOODRUFF KEY	HOL-H322	HOL-H322	-
8	LUBRICATION FITTING	HOL-767	HOL-767	HOL-767
9	LUBRICATION PLUG	HOL-01789	HOL-01789	HOL-01789
10	BUSHING	HOL-V851	HOL-RK-V07042	HOL-LG0559
	BUSH RETAINER	-	-	HOL-LG1570
11	PLASTIC BUSHING	HOL-V643-A2	HOL-V643-A2	HOL-V06630
12	HARDENED STEEL WASHER	-	-	HOL-V06632
13	HARDENED STEEL PIN	-	-	HOL-CRP-V06635
14	BEVEL GEAR	HOL-V1962 (22 TEETH)	HOL-V04205-1 (20 TEETH)	HOL-V06601 (24 TEETH)
15	JAM NUT – 1" – 14	HOL-FW25	HOL-FW25	-
16	GASKET – FOAM	HOL-V1966	HOL-V1966	HOL-V07054
17	SELF TAPPING SCREW	HOL-MSR316C500	HOL-04112	-
18	UPPER LEG COVER	HOL-V1966-2	HOL-V04167	HOL-V06611
19	SHIMS (AS REQUIRED)	HOL-H36	HOL-03816	HOL-01977
20	BEVEL PINION	HOL-V1961	HOL-V05272	HOL-V06600
21	GROOVE PIN – 3/8" x 1 1/2"		HOL-02065	HOL-02065
22	HEX HEAD BOLT – 3/8 x 1 3/4"	HOL-V4441	HOL-V4441	HOL-V4441
23	LOCKNUT – 3/8"	HOL-338	HOL-338	HOL-338
24	CROSS SHAFT	HOL-V1910	HOL-V1910	HOL-V1910
25	ROLL PIN – 3/8" x 1 1/2"	HDW-RP-0375-12	HDW-RP-0375-12	HOL-CRP-V06634
26	STEP GEAR	HOL-V1928	HOL-V1928	HOL-V06603
27	IDLER SHAFT	HOL-V1957	HOL-V1957	HOL-V07085
28	STEP GEAR (UNDRILLED)	HOL-V1928-1	HOL-V1928-1	HOL-V06606
29	IDLER GEAR	HOL-V1927	HOL-V1927	HOL-V06602
30	ROLL PIN – 3/16" x 1 1/4"	HDW-RP-0187-12	HDW-RP-0187-12	HDW-RP-0187-12
31	SOLID PIN – 3/8" x 1 5/16"	HOL-CRP-V1917	HOL-CRP-V1917	-
	SOLID PIN – 1/4" X 1 5/16"	-	-	HOL-CRP-V06633
32	SHIFTER GEAR	HOL-V1929	HOL-V1929	HOL-V06604-1
33	SHIFTER BUSH	-	-	HOL-LG06580-1
34	SHIFTER SPRING	HOL-V1949	HOL-V1949	HOL-PP002002
	SHIFTER BALL	-	-	HOL-PP002301
35	GEARBOX GASKET	HOL-V1926	HOL-V1926	HOL-V06621
36	LOCKNUT – 1/4"	HOL-3103	HOL-3103	-
37	HEX HEAD SCREW	HOL-CX142F58	HOL-CX1428F58	HOL-06372
38	GEARBOX COVER	HOL-V1920	HOL-V1920	HOL-V06618
39	BUSHING RETAINER – OPEN	-	-	HOL-V06622
40	SKID FOOT – STANDARD	HOL-V796-B1	HOL-V796-B1	HOL-V796-B1
41	SKID FOOT – HEAVY DUTY	HOL-V796T	HOL-V796T	HOL-V796T
42	ROCKER FOOT – AIRBAG		HOL-V818R	HOL-V818R
43	WHEEL – 9" DIAMETER	HOL-V747	HOL-V747	HOL-V747
44	AXLE – SKID FOOT (STD.)	HOL-V1901-1	HOL-V1901-1	HOL-V1901-1
44	AXLE – SKID FOOT (H/DUTY)	HOL-V1906-3	HOL-V1906-3	HOL-V1901-3
44	AXLE – ROCKER FOOT		HOL-V1901-4	HOL-V1901-4
44	AXLE - WHEEL	HOL-V1901-2	HOL-V1901-2	HOL-V1901-2

ITEM	DESCRIPTION	LG75	EX75 & EXA75	LGS
CHART 1	SHAFT FOR SINGLE SPEED LEG	HOL-V1939	HOL-V05123A (1990 TO 1992)	HOL-V06623A
CHART 2	SHAFT FOR TWO SPEED LEG	HOL-V1918	HOL-X05123A (1992 TO 1994)	HOL-V06624A
CHART 3	SHIFTER FOR TWO SPEED LEG	HOL-V1919	HOL-V05122A (1990 TO 1992) HOL-X05122A (1992 TO 1994) HOL-V05159A	HOL-V06625A



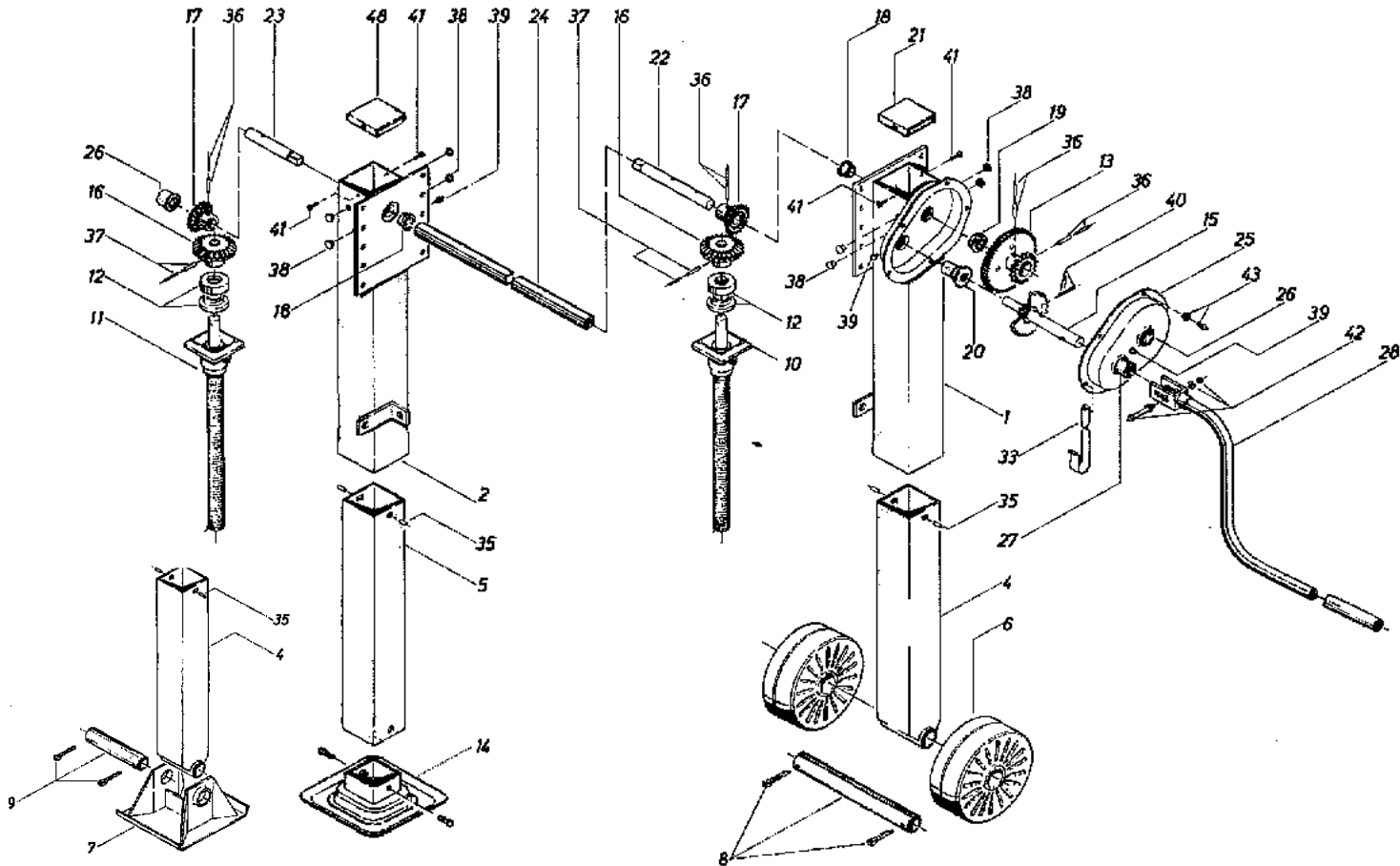
JOST A400 SERIES



ITEM	PART NUMBER	DESCRIPTION	ITEM	PART NUMBER	DESCRIPTION
6	JSL-C-10067-4	HANDLE C/W HARDWARE	34	JSL-A-10260-1	SPIRAL PIN
7	JSL-B-10261	CRANK HANGER	35	HDW-RP-0375-13	ROLL PIN – 3/8" x 1 3/4"
8	JSL-C-10108	'W' BRACE LUG	36	JSL-B-10236	OUTPUT CLUSTER SHAFT
9	JSL-B-10066	CROSS SHAFT	37	JSL-C-10234	OUTPUT CLUSTER GEAR
10	JSL-C-10108	'W' BRACE LUG	38	JSL-C-10233	INPUT GEAR SHAFT
11	JSL-B-10066	CROSS SHAFT	39	JSL-C-10078	OUTPUT SPUR GEAR
12	JSL-A-10059-1	COVER SCREW	40	JSL-C-10085	INPUT SPUR GEAR
13	JSL-C-10217	COVER – 2 SPEED	41	JSL-A-10049	DETENT SPRING
14	JSL-C-10259	COVER – 1 SPEED	42	JSL-A-10048	DETENT BALL
15	JSL-C-10177	PINION GEAR	43	JSL-B-10229	SHIFT HOUSING (incl. 31,32)
16	JSL-C-10155	BEVEL GEAR	44	JSL-A-10230	SHIFT HOUSING BOLT
17	JSL-B-10130	PINION SHAFT – 1 SPEED	45	JSL-A-10038-6	SELF LOCKING NUT
18	JSL-A-10102	THRUST WASHER	46	JSL-C-10035	SKID FOOT – 10" X 10"
19	JSL-A-20052-3	GROOVED PIN	47	JSL-C-10135	SKID FOOT – 10" LO PROFILE
20	JSL-A-10218	SPACER WASHER	48	JSL-B-10036	AXLE – SKID FOOT
21	JSL-A-10040	GREASE FITTING	49	JSL-A-10037-3	HEX HEAD BOLT
22	HDW-NYF-0500	SELF LOCKING NUT – 3/8"	50	JSL-A-10054-6	ROLL PIN – 1/4" x 1/4"
23	HDW-B-0500-20	BOLT – 3/8" x 2"	51	JSL-C-10341	WHEEL – 9" DIAMETER
24	JSL-A-10033	THRUST BEARING	52A	JSL-B-10300	AXLE – WHEELS
25	JSL-A-10101	COLLAR	52B	JSL-C-10094	ROCKER FOOT – PRESSED
26	JSL-A-10212	OUTPUT SHAFT	53	JSL-C-10000	ROCKER FOOT – FABRICATED
27	JSL-A-10255	BUSHING		JSL-B-10036-1	AXLE – PRESSED ROCKER FOOT
28	JSL-A-10249	DETENT BUSHING			
29	JSL-A-10247	BUSHING			
30	HDW-RP-0375-12	ROLL PIN – 3/8" x 1 1/2"			



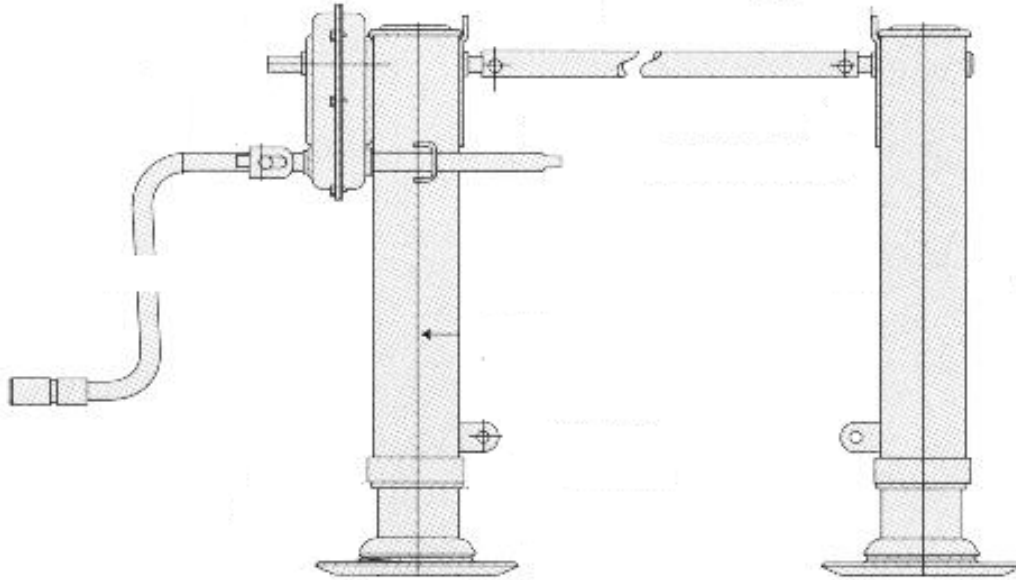
JOST E200 SERIES



ITEM	PART NUMBER	DESCRIPTION	ITEM	PART NUMBER	DESCRIPTION
1	JSL-JS-1111-01	HOUSING – R.H	21	JSL-JS-1101-03	COVER PLATE
2	JSL-JS-1111-55	HOUSING – L.H	22	JSL-JS-1114-04	DRIVE SHAFT
3	JSL-JS-1211-01	HOUSING – L.H (E240)	23	JSL-JS-1114-16	DRIVE SHAFT
4	JSL-JS-1112-01	SUPPORTING TUBE	24	JSL-JS-1110-01	CONNECTION SHAFT
5	JSL-JS-1112-05	SUPPORTING TUBE	25	JSL-JS-1111-10	GEARBOX COVER
6	JSL-JS-1116-01	WHEEL	26	JSL-JS-1101-08	BUSH
7	JSL-JS-1116-06	SAND SHOE	27	JSL-JS-1101-10	BUSH
8	JSL-JS-1118-01	AXLE – SUIT WHEELS	28	JSL-JS-1118-03	CRANK HANDLE
9	JSL-JS-1118-02	AXLE – SUIT SAND SHOE	33	JSL-JS-1101-17	CRANK HOLDER
10	JSL-JS-1114-01	SPINDLE – R.H	35	JSL-JS-1120-07	PIN
11	JSL-JS-1114-14	SPINDLE – L.H	36	JSL-JS-1118-08	CLAMPING SLEEVES
12	JSL-JS-1101-18	THRUST BEARING	37	JSL-JS-1118-09	CLAMPING SLEEVES
13	JSL-JS-1118-05	LARGE GEAR SET WITH SLEEVE	38	JSL-JS-1101-12	PLUG
14	JSL-JS-1116-31	RUBBER CUSHIONED FOOT	39	JSL-JS-1120-06	GREASE NIPPLE
15	JSL-JS-1118-06	GEAR DRIVE PINION WITH BALL	40	JSL-JS-1118-04	PRESSURE SPRING WITH BALLS
16	JSL-JS-1118-14	LARGE BEVEL GEAR COMPLETE	41	JSL-JS-1120-21	BOLT
17	JSL-JS-1118-15	SMALL BEVEL GEAR COMPLETE	42	JSL-JS-1118-10	BOLT WITH WASHERS & NUT
18	JSL-JS-1101-02	BUSH	43	JSL-JS-1118-11	BOLT WITH NUT
19	JSL-JS-1101-07	DISTANCE PIECE	48	JSL-JS-1101-38	COVER PLATE
20	JSL-JS-1101-09	BUSH			



HOLLAND LANDING LEGS MARK V



LANDING LEG SETS

PART NUMBER	DESCRIPTION
HOL-LGS-4A-010	MARK V LANDING LEG SET - NO FEET
HOL-LGS-4A-001	MARK V LANDING LEG SET - SELF LEVELLER
HOL-LGS-4A-103	MARK V LANDING LEG SET - WHEEL
HOL-LGS-4A-115	MARK V LANDING LEG SET - STANDARD SKID FOOT
HOL-LGS-4A-120	MARK V LANDING LEG SET - AIRBAG ROCKER FOOT

EACH SET IS SUPPLIED WITH GEARED LEG,UNGEARED LEG,HANDLE,CROSSBAR AND BRACE EARS

GEARED LEG ONLY

PART NUMBER	DESCRIPTION
HOL-LG8-4A-010	MARK V GEARED LEG ONLY - NO FEET
HOL-LG8-4A-001	MARK V GEARED LEG ONLY - SELF LEVELLER
HOL-LG8-4A-103	MARK V GEARED LEG ONLY - WHEEL
HOL-LG8-4A-115	MARK V GEARED LEG ONLY - STANDARD SKID FOOT
HOL-LG8-4A-120	MARK V GEARED LEG ONLY - AIRBAG ROCKER FOOT

EACH LEG IS SUPPLIED WITH HANDLE,CROSSBAR AND EAR BRACE

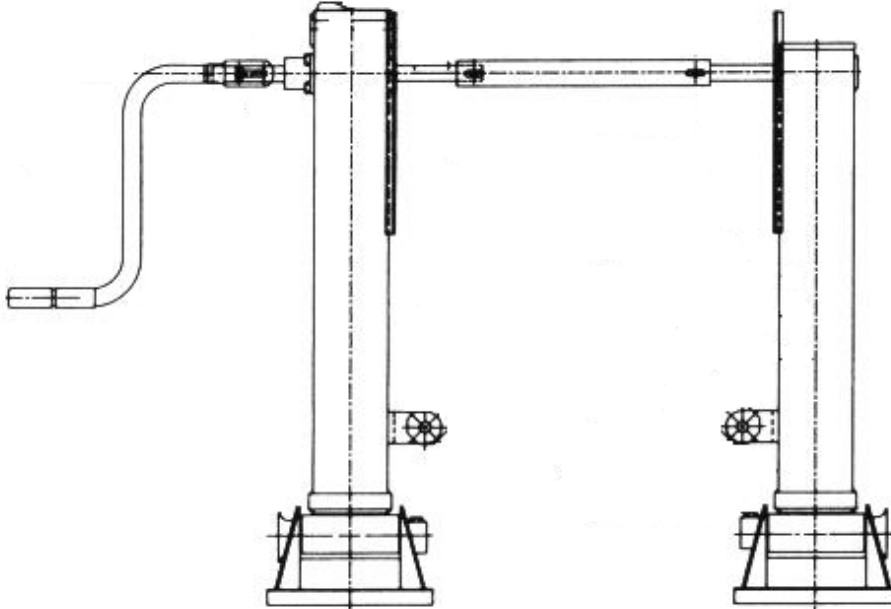
UNGEARED LEG ONLY

PART NUMBER	DESCRIPTION
HOL-LG9-4A-001	MARK V UNGEARED LEG ONLY - NO FEET
HOL-LG9-4A-010	MARK V UNGEARED LEG ONLY - SELF LEVELLER
HOL-LG9-4A-103	MARK V UNGEARED LEG ONLY - WHEEL
HOL-LG9-4A-115	MARK V UNGEARED LEG ONLY - STANDARD SKID FOOT
HOL-LG9-4A-120	MARK V UNGEARED LEG ONLY - AIRBAG ROCKER FOOT

EACH LEG IS SUPPLIED WITH EAR BRACE



JOST A400 LANDING LEGS



LANDING LEG SETS

PART NUMBER	DESCRIPTION
JSL-A400-A-19	A400 LANDING LEG SET – AIRBAG ROCKER FOOT
JSL-A400-G-19	A400 LANDING LEG SET – 10” SQUARE CUSHION FOOT
JSL-A400-R-19	A400 LANDING LEG SET – WHEELS
JSL-A400-T-19	A400 LANDING LEG SET – 10” SAND SHOE
JSL-A400-19-W/F	A400 LANDING LEG SET – NO FEET SUPPLIED

EACH SET IS SUPPLIED WITH GEARED LEG,UNGEARED LEG,HANDLE,CROSSBAR AND EAR BRACE

GEARED LEG ONLY

PART NUMBER	DESCRIPTION
JSL-A400-A-19R	A400 GEARED LEG ONLY – AIRBAG ROCKER FOOT
JSL-A400-G-19R	A400 GEARED LEG ONLY – 10” SQUARE CUSHION FOOT
JSL-A400-R-19R	A400 GEARED LEG ONLY – WHEELS
JSL-A400-T-19R	A400 GEARED LEG ONLY – 10” SAND SHOE
JSL-A400-WP-19R	A400 GEARED LEG ONLY – NO FEET SUPPLIED

EACH LEG SUPPLIED WITH HANDLE,CROSSBAR AND EAR BRACE

UNGEARED LEG ONLY

PART NUMBER	DESCRIPTION
JSL-A400-A-19L	A400 UNGEARED LEG ONLY – AIRBAG ROCKER FOOT
JSL-A400-G-19L	A400 UNGEARED LEG ONLY – 10” SQUARE CUSHION FOOT
JSL-A400-R-19L	A400 UNGEARED LEG ONLY – WHEELS
JSL-A400-T-19L	A400 UNGEARED LEG ONLY – 10” SAND SHOE
JSL-A400-WP-19R	A400 UNGEARED LEG ONLY – NO FEET SUPPLIED

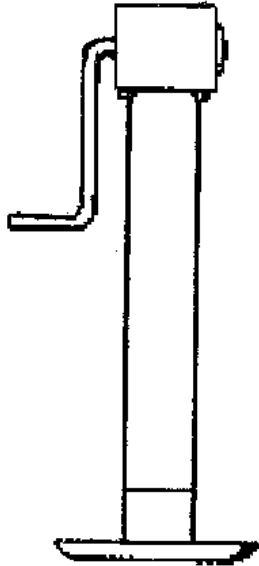
EACH LEG SUPPLIED WITH EAR BRACE



JOST MODUL SERIES



DRAWBAR LEGS

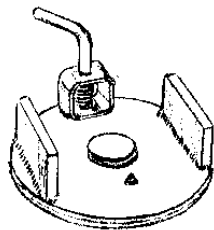


PART NUMBER : **WHI-L6500**

DESCRIPTION: SINGLE SPEED LEG

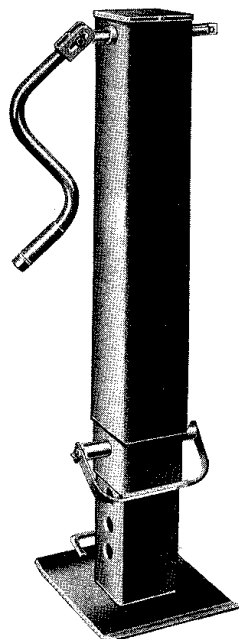
STATIC CAPACITY: 3000kg

TRAVEL: 300mm



PART NUMBER: **WHI-DG706BKT**

DESCRIPTION: MOUNTING BRACKET
SUIT L6500 LEG



PART NUMBER: **HOL-LG700**

DESCRIPTION: TELESCOPIC, SINGLE
SPEED LEG

STATIC CAPACITY: 9090kg

CRANK TRAVEL: 305mm

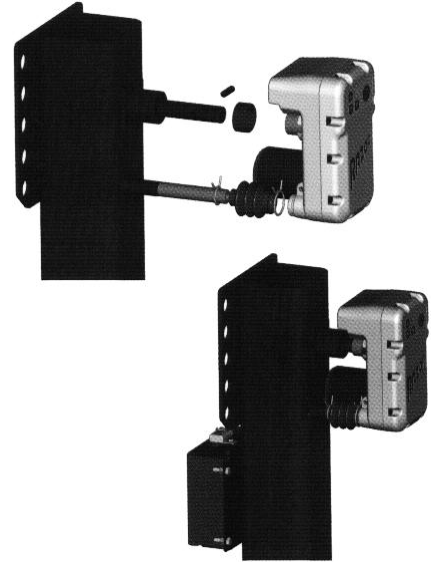
DROP TRAVEL: 388mm



RAZOR ELECTRONIC POWER UNIT



DESIGNED AND TESTED TO
EASILY LIFT A FULLY LOADED
TRAILER
(LIFT CAPACITY 50,000lbs -
24 TONNES)



HOLLAND LANDING LEGS

PART NUMBER	DESCRIPTION
RAZ-1300C	RAZOR DRIVE GEARBOX ASSEMBLY
RAZ-1600A	BATTERY ASSEMBLY
RAZ-1026H	TORQUE ARM – HOLLAND LEG
RAZ-1016E	EXTENSION LOOM (USE ONLY WITH EXISTING BATTERY)

JOST A400 LANDING LEGS

PART NUMBER	DESCRIPTION
RAZ-1300C	RAZOR DRIVE GEARBOX ASSEMBLY
RAZ-1600A	BATTERY ASSEMBLY
RAZ-1026J	TORQUE ARM – JOST A400
RAZ-1016E	EXTENSION LOOM(USE ONLY WITH EXISTING BATTERY)

JOST E200 LANDING LEGS

PART NUMBER	DESCRIPTION
RAZ-1300C	RAZOR DRIVE GEARBOX ASSEMBLY
RAZ-1600A	BATTERY ASSEMBLY
RAZ-1026E	TORQUE ARM – JOST E200
RAZ-1016E	EXTENSION LOOM(USE ONLY WITH EXISTING BATTERY)

K-HITCH LANDING LEGS

PART NUMBER	DESCRIPTION
RAZ-30KHO	COMPLETE KIT WITH DRIVE,BATTERY,TORQUE ARM AND WIRING LOOM