

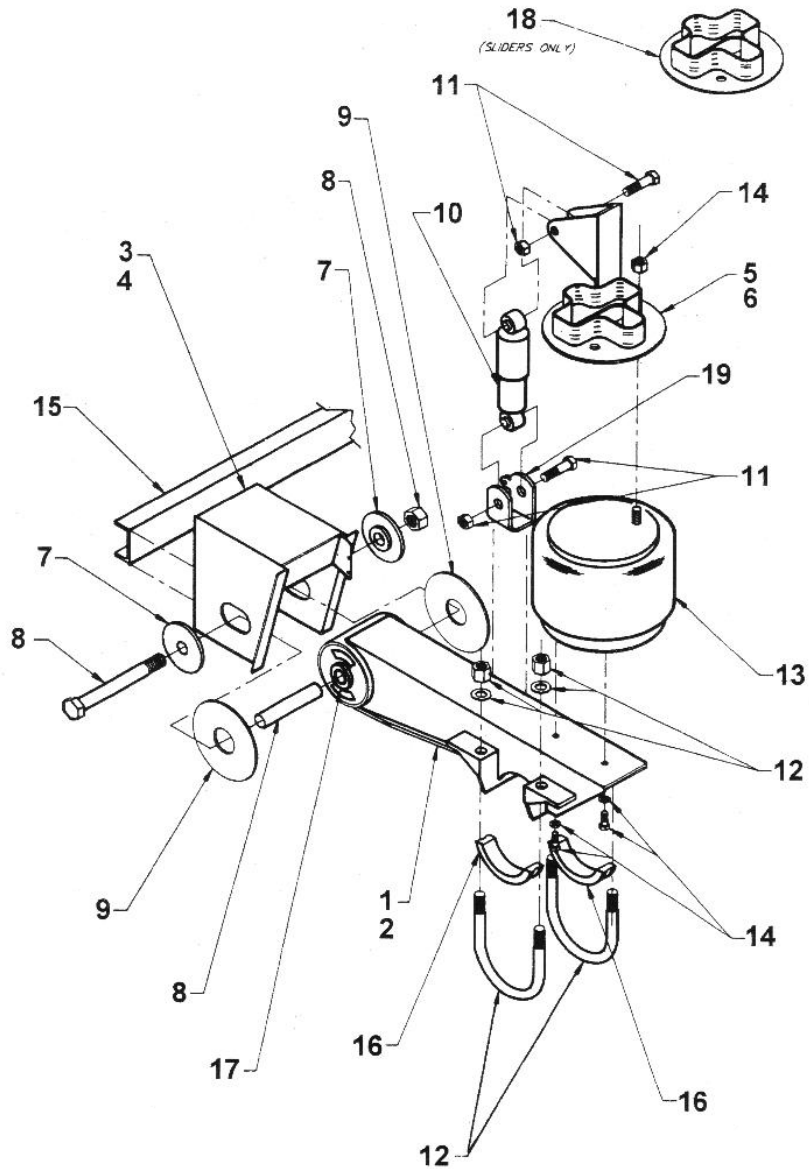


AIR SUSPENSION

SECTION 4



HENDRICKSON HT230 AIR SUSPENSION



ITEM	PART NUMBER	DESCRIPTION	ITEM	PART NUMBER	DESCRIPTION
1*	HND-D-20000-1	BEAM ASSEMBLY – L.H	9	HND-B-11613	WEAR PAD SET
2*	HND-D-20000-2	BEAM ASSEMBLY – R.H	10	HND-S-20889	SHOCK ABSORBER
3*	HND-C-21179-1	L.H HANGER – 15” RIDE	11	HND-A-20031	BOLT KIT – SHOCK ABSORBER
	HND-D-21165-1	L.H HANGER – 17” RIDE	12	HND-A-20032	U-BOLT KIT (SET OF 4)
4*	HND-D-21179-2	R.H HANGER – 15” RIDE	13	AIR-B-C21208	AIR SPRING ASSEMBLY
	HND-D-21165-2	R.H HANGER – 17” RIDE	14	HND-A-20033	AIR SPRING BOLT KIT
5*	HND-C-20014-1	UPPER SHOCK BRACKET – L.H	16	HND-B-20701	AXLE SPACER – U-BOLT
	HND-C-20012-1	UPPER SHOCK BRACKET – L.H	17	HND-A-6914	TRI FUNCTIONAL BUSH KIT
6*	HND-C-20014-2	UPPER SHOCK BRACKET – R.H		HND-S-24691	QUICK ALIGN BUSH KIT
	HND-C-20012-2	UPPER SHOCK BRACKET – R.H	18	HND-C-20016-2	AIR SPRING SPACER ASSEMBLY
7	HND-B-2770	ALIGNMENT COLLAR	19	HND-C-20069	LOWER SHOCK CLEVIS
	HND-C-20924	ALIGN COLLAR - STRAIGHT		HND-98544-021	MODIFIED LOWER SHOCK CLEVIS
	HND-C-20925	ALIGN COLLAR – ECENTRIC			
8	HND-S-3646	PIVOT BOLT KIT			
	HND-S-24679	PIVOT BOLT – QUICK ALIGN			
	HND-S-24680	PIVOT BOLT AND COLLARS		HND-98690-001	QUICK ALIGN RETRO KIT

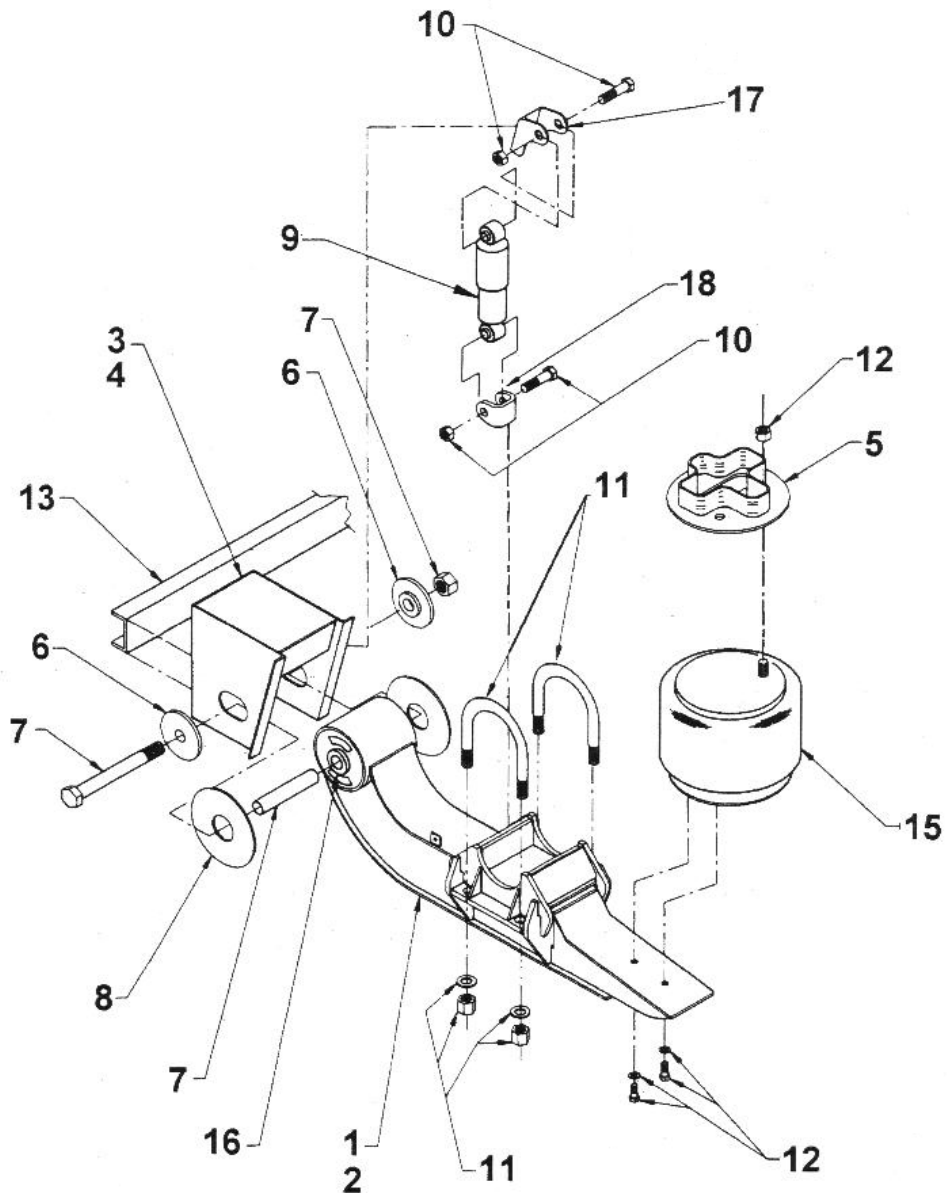


--	--	--	--	--	--

ITEMS MARKED WITH A * HAVE OPTIONS AVAILABLE NOT LISTED ABOVE

4-3

HENDRICKSON HT250U AIR SUSPENSION



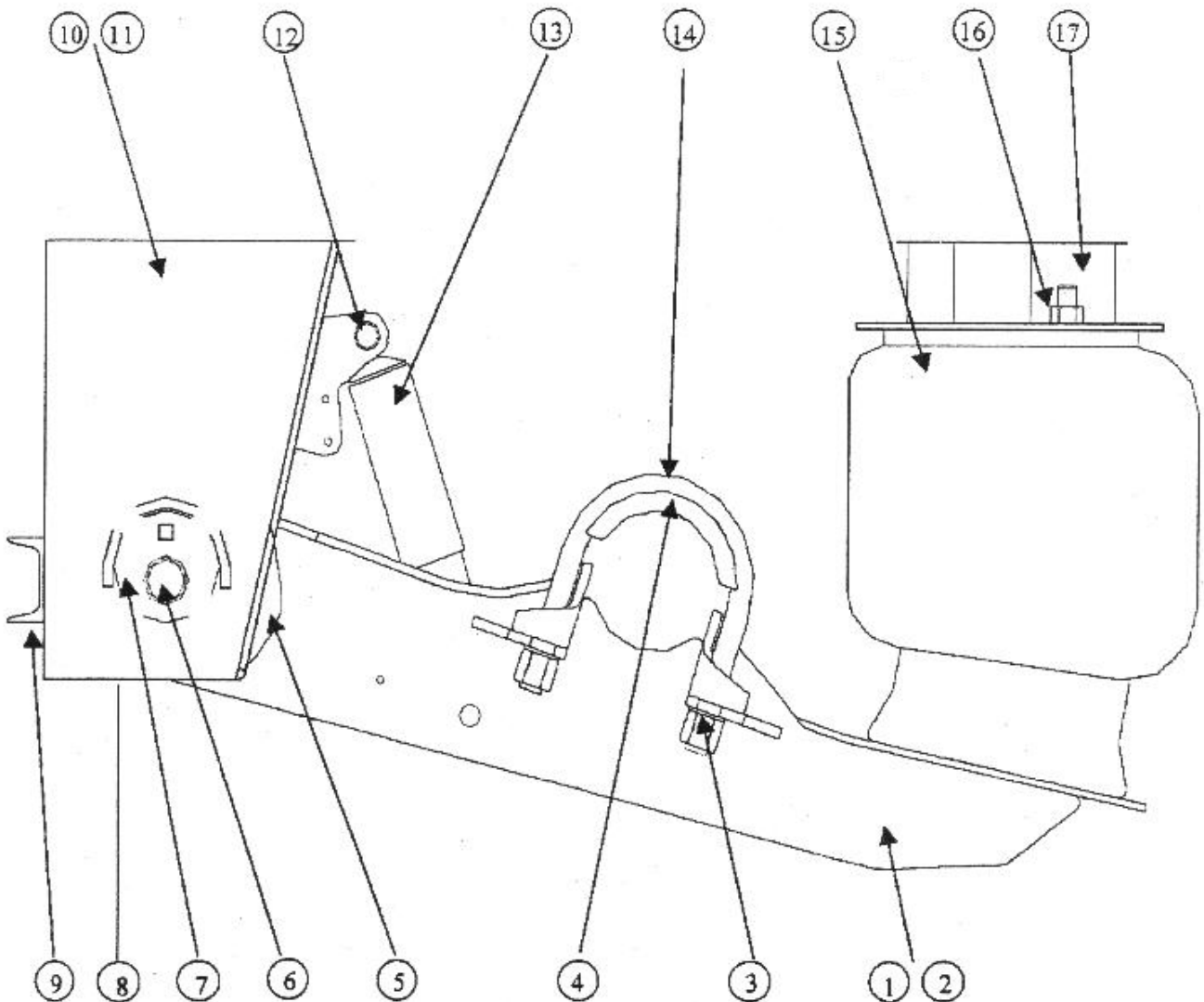


ITEM	PART NUMBER	DESCRIPTION	ITEM	PART NUMBER	DESCRIPTION
1*	HND-S-20335-1	L.H TRAILING ARM	10	HND-S-2157	SHOCK BOLT KIT
2*	HND-S-20335-2	R.H TRAILING ARM	11	HND-S-3650	U-BOLT KIT (SET OF 4)
3*	HND-S-20322-1	L.H HANGER	12	HND-A-1981	AIR SPRING BOLT KIT
4*	HND-S-20322-2	R.H HANGER	13	HND-A-1631-19	FRAME BRACKET CHANNEL
5*	HND-S-20037-0	AIR SPRING SPACER ASSY.	15	AIR-B-C20124	AIR SPRING
6	HND-B-2770	ALIGNMENT COLLAR	16	HND-A-6914	TRI FUNCTIONAL BUSH KIT
7	HND-S-3646	PIVOT BOLT KIT		HND-S-21166	TRI FUNCTIONAL BUSH KIT
8	HND-B-11613	WEAR PAD – PIVOT BUSH	17	HND-C-20113	SHOCK CLEVIS – UPPER
9	HND-S-20889	SHOCK ABSROBER	18	HND-C-2592	SHOCK CLEVIS – LOWER
	HND-C-14587-1L	SHOCK STRAP KIT			

ITEMS MARKED WITH A * HAVE OPTIONS AVAILABLE NOT LISTED ABOVE

4-4

HENDRICKSON HT250US AIR SUSPENSION



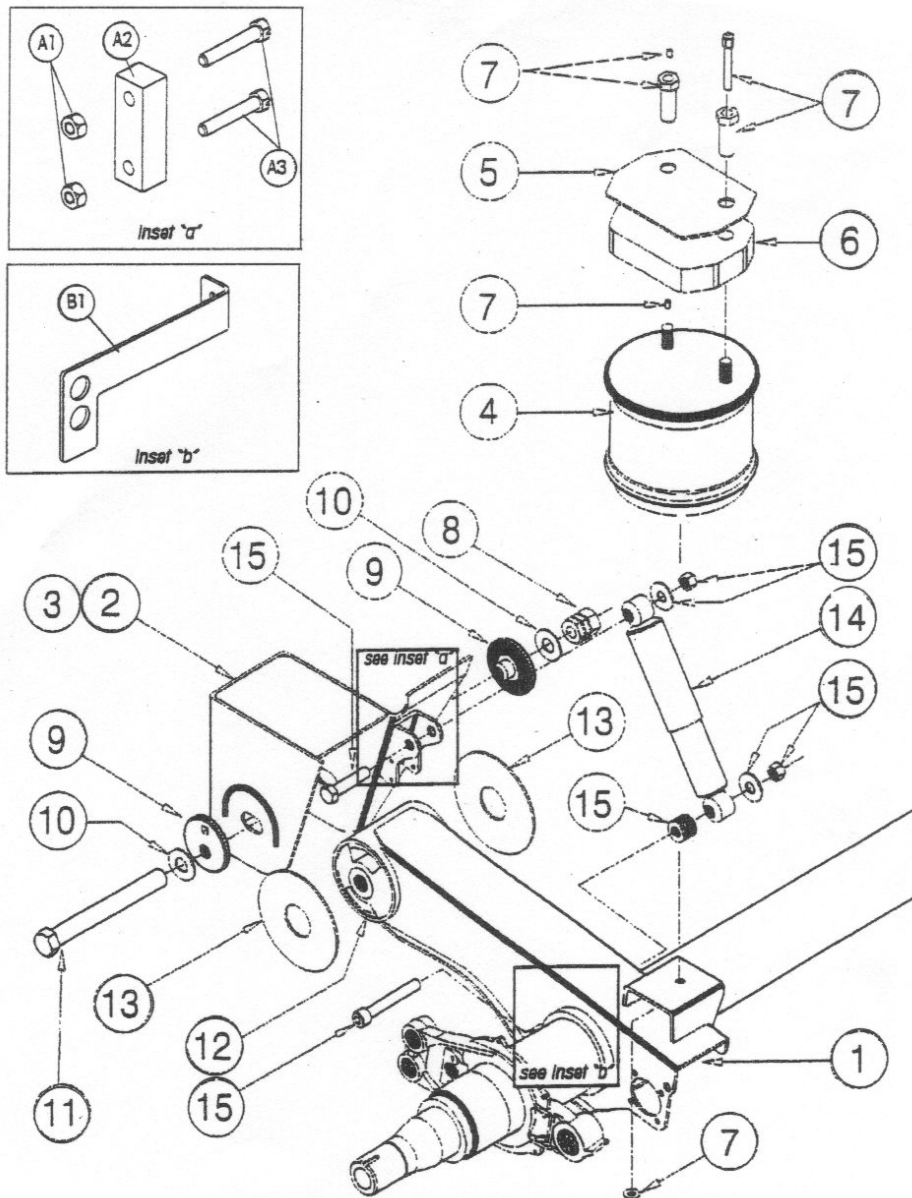


ITEM	PART NUMBER	DESCRIPTION	ITEM	PART NUMBER	DESCRIPTION
1*	HND-S-24186-1	L.H TRAILING ARM	10*	HND-S-22827-1	FRAME HANGER – L.H
2*	HND-S-24186-2	R.H TRAILING ARM	11*	HND-S-22827-2	FRAME HANGER – R.H
3	HND-A-11827	NUT & WASHER – U-BOLT	12	HND-S-24058-2	SHOCK BOLT - TOP
4	HND-B-20701	SPACER – U-BOLT		HND-98357-004	SHOCK BOLT KIT – LOWER
5	HND-B-11613	WEAR PAD		HND-S-24024	SHOCK BOLT SERVICE KIT
6	HND-S-24680	PIVOT BOLT/WASHER KIT	13*	HND-S-20889	SHOCK ABSORBER
7	HND-C-20924	ECCENTRIC WASHER	14	HND-S-22237	U-BOLT KIT
	HND-C-20925	ECCENTRIC WASHER	15	AIR-B-C20127	AIR SPRING ASSEMBLY
8	HND-S-24691	TRI FUNCTION BUSH KIT	16	HND-A-20033	BOLT KIT – AIR SPRING
9	HND-A-1631-19	CHANNEL	17*	HND-C-21210-3	AIR SPRING MOUNT – UPPER

ITEMS MARKED WITH A * HAVE OPTIONS AVAILABLE NOT LISTED ABOVE

4-5

HENDRICKSON INTRAAX AIR SUSPENSION



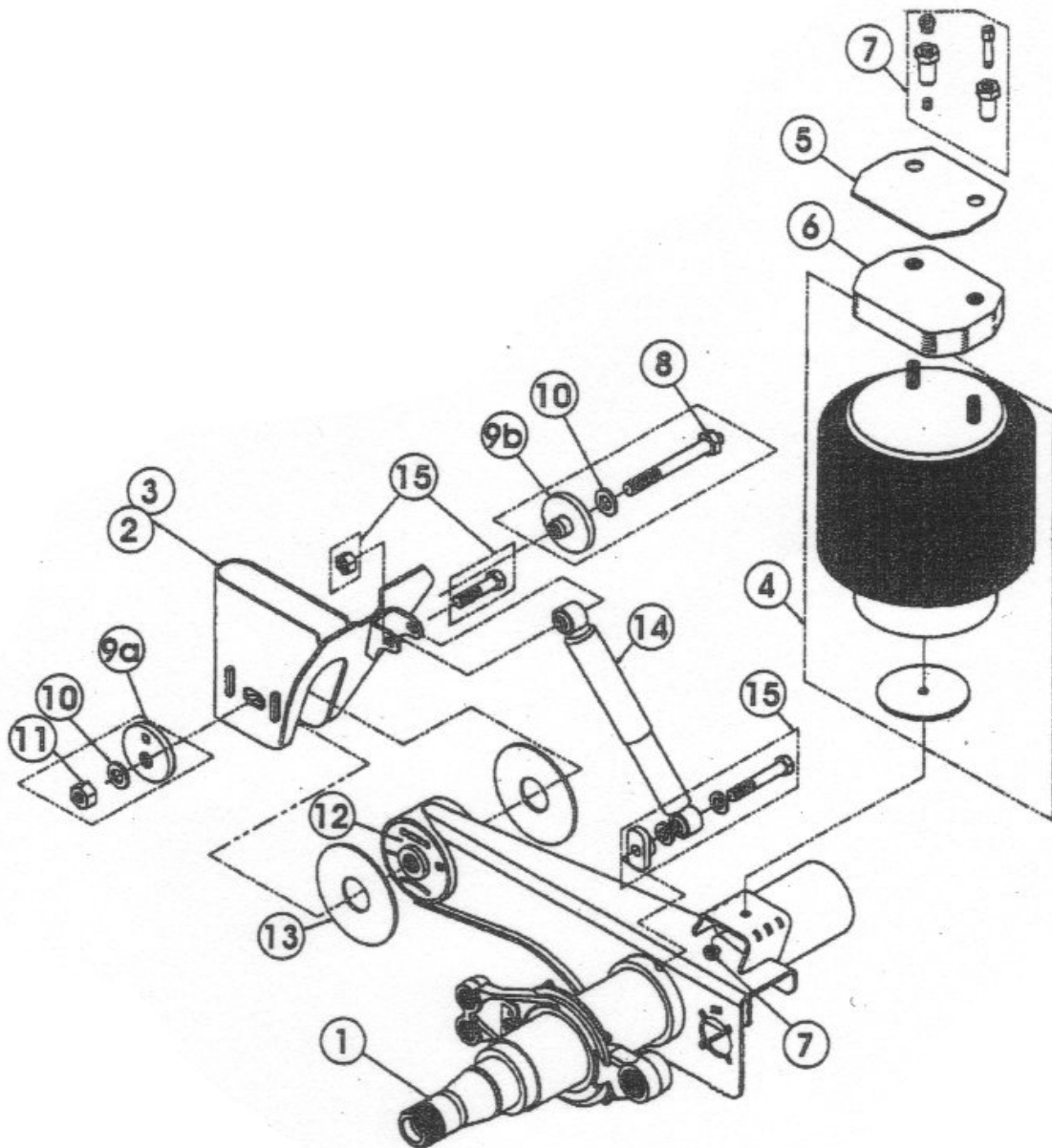


ITEM	PART NUMBER	DESCRIPTION	ITEM	PART NUMBER	DESCRIPTION
1*	HND-D-21131-1	HALF TRAAX BEAM – 71.5"	9	HND-C-20925	ECCENTRIC WASHER
	HND-D-21817-1	HALF TRAAX BEAM – AA230	10	HND-S-21052	HARDENED WASHER
2*	HND-S-21028-1	L.H FRONT HANGER	11	HND-S-24679	PIVOT BOLT KIT
3*	HND-S-21028-2	R.H FRONT HANGER	12	HND-S-21166	TRI-FUNCTIONAL BUSH
4	AIR-B-C20900	AIR SPRING – AA230	13	HND-B-11613	WEAR PAD SET
	AIR-B-C20901	AIR SPRING – AA250	14*	HND-S-20889	SHOCK ABSORBER
5	HND-B-20905	TOP PLATE		HND-S-21699	SHOCK ABSORBER
6*	HND-B-21100-1	SPACER – 1" THICK		HND-98583-011	SHOCK ABSORBER - KONI
	HND-B-21100-2	SPACER – 2" THICK	15	HND-S-24049	BOLT KIT – SHOCK ABSORBER
	HND-B-21100-3	SPACER – 3" THICK		HND-S-24058-1	SHOCK BOLT - TOP
7*	HND-A-21136	AIR FITTING KIT – STD.		HND-S-24680	PIVOT BOLT AND WASHER KIT
8	HND-S-20930	TORQUE RITE NUT		HND-S-24691	TRI FUNCTIONAL BUSH KIT
9	HND-C-20924	INNER FLANGE WASHER			

ITEMS MARKED WITH A * HAVE OPTIONS AVAILABLE NOT LISTED

4-6

HENDRICKSON MAXITRAAX AIR SUSPENSION

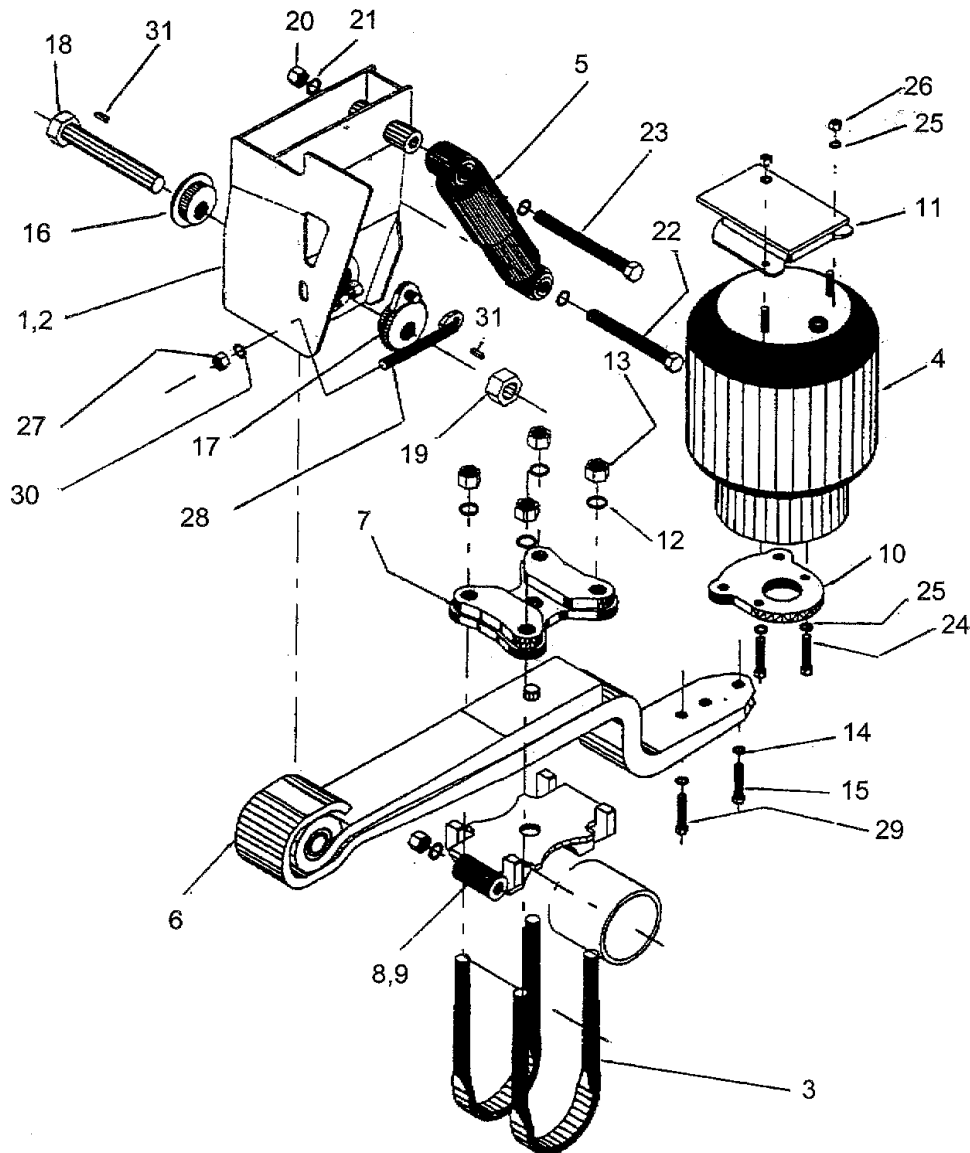




ITEM	PART NUMBER	DESCRIPTION	ITEM	PART NUMBER	DESCRIPTION
1	HND-E1230AXL	AXLE/BEAM-HALF TRAAAX	10	HND-S-21052	WASHER – PIVOT BOLT
2	HND-S-26105-1L	HANGER – LEFT HAND	11	HND-S-20930	NUT – PIVOT BOLT
3	HND-S-26105-1R	HANGER – RIGHT HAND	12	HND-S-24706	PIVOT BUSH KIT
4	AIR-B-S21800	AIR SPRING	13	HND-S-25272	WEAR PAD BUSHING
5	HND-B-20905	PLATE – AIR SPRING	14	HND-S-21699	SHOCK ABSORBER
6	HND-S-22510-1	SPACER – AIR SPRING		OR	
7	HND-S-22630	FITTING – AIR SPRING		HND-S-20889	SHOCK ABSORBER
8	HND-S-24705	PIVOT BOLT – QUIK-ALIGN	15	HND-S-24049	BOLT KIT – SHOCK
9	HND-C-20924	FLANGED WASHER			ABSORBER
	HND-C-20925	ECCENTRIC WASHER			

4-7

KRUEGER RFS 2000 SERIES AIR SUSPENSION

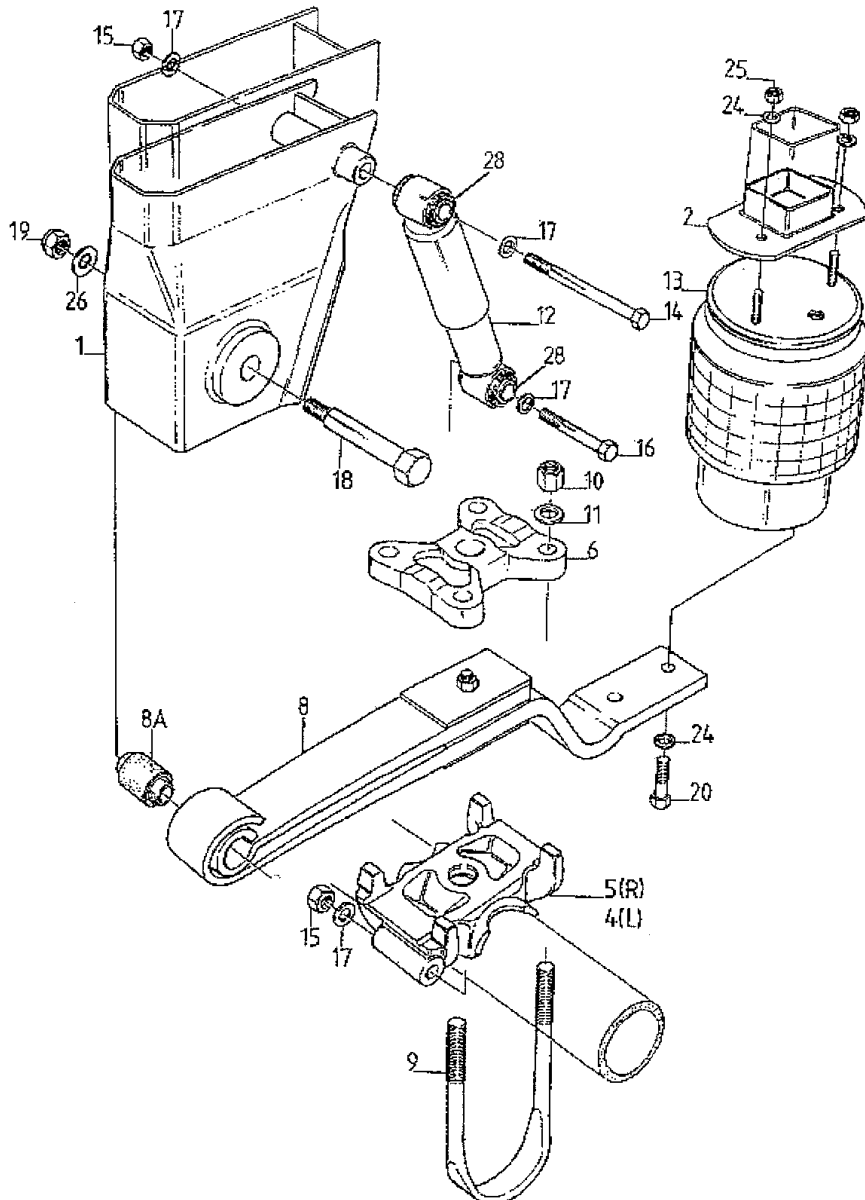




ITEM	PART NUMBER	DESCRIPTION	ITEM	PART NUMBER	DESCRIPTION
1	RFS-295068-2	R.H HANGER ASSEMBLY	17	RFS-295050	INNER ADJUSTING BOSS
2	RFS-295068-1	L.H HANGER ASSEMBLY	18	RFS-295038	PIVOT BOLT
3	RFS-295016	U-BOLT	19	RFS-295039	M30 NYLOC NUT
4	ROR-2501202	AIR SPRING - TYPE 30	20	RFS-295099	M20 NYLOC NUT
5	RFS-295035	SHOCK ABSORBER	21	RFS-295043	M20 HARDENED WASHER
6	RFS-295003	SPRING ARM - HEAVY DUTY	22	RFS-295041	SHOCK BOLT - M20 X 175mm
7	RFS-295029	U-BOLT CLAMP PLATE	23	RFS-295040	SHOCK BOLT - M20 X 220mm
8	RFS-295015-2	R.H AXLE SADDLE	24	RFS-295044	M12 BOLT - 40mm LONG
9	RFS-295015-1	L.H AXLE SADDLE	25	RFS-295045	M12 SPRING WASHER
10	RFS-295031	OFFSET PLATE - AIRBAG	26	RFS-295046	M12 NUT
11	RFS-295014	TOP MOUNT PLATE - AIRBAG	27	RFS-295047	M16 NUT
12	SXT-10-0016	7/8" WASHER - U-BOLT	28	RFS-295054	PIVOT ADJUSTING ROD
13	SXT-10-0015	7/8" NUT - WASHER	30	RFS-295065	HARDENED WASHER
14	RFS-295036	SPRING WASHER	31	RFS-295070	KEY - 16mm
15	RFS-295037	M16 BOLT - 40mm LONG	32	TPC-0203169000	PIVOT BUSH
16	RFS-295053	OUTER ADJUSTING BOLT			

4-10

HOLLAND AIR E520 SERIES

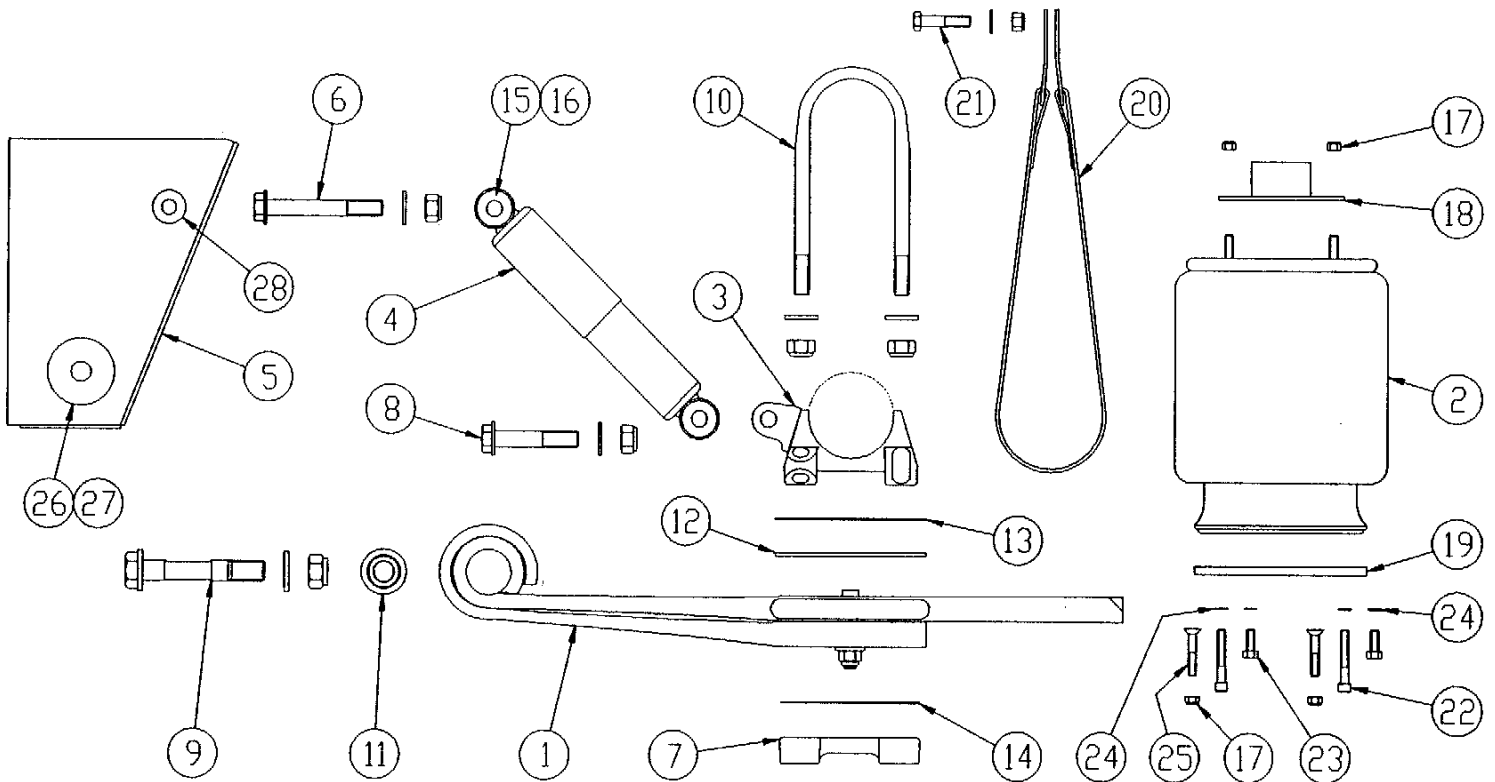




ITEM	PART NUMBER	DESCRIPTION	ITEM	PART NUMBER	DESCRIPTION
1	ROR-2501195	HANGER BRACKET	14	ROR-2501230	M20 BOLT
2	ROR-2501200	AIRSPRING PEDESTAL	15	ROR-2501234	M20 NUT
2A	ROR-2501046	AIRSPRING PEDESTAL – 65mm	16	ROR-2501229	M20 X 170mm BOLT
4	ROR-2501217	AXLE SEAT – LEFT HAND	17	ROR-2501233	M20 WASHER
5	ROR-2501216	AXLE SEAT – RIGHT HAND	18	ROR-2501226	PIVOT BOLT
6	ROR-2501223	U-BOLT TOP PLATE	19	ROR-2501228	M27 LOCK NUT
8	ROR-2501187	PARABOLIC TRAILING ARM	20	ROR-2501210	M12 X 60mm BOLT
8A	TPC-0203160600	PIVOT BUSH	20A	ROR-2501141	M12 X 45mm BOLT
9	ROR-2501236	U-BOLT	24	ROR-2501203	M12 SPRING WASHER
10	ROR-2501213	M24 HIGH NUT	25	ROR-2501204	M12 NUT
11	ROR-2501212	M24 WASHER	26	ROR-2501227	M27 WASHER
12	ROR-2501192	SHOCK ABSORBER	27	ROR-2501047	AIRSPRING SUPPORT
13	ROR-2501202	AIRSPRING	28	ROR-2501193	SHOCK ABSORBER BUSH

4-9

YORK TECAIR 1 AIR SUSPENSION



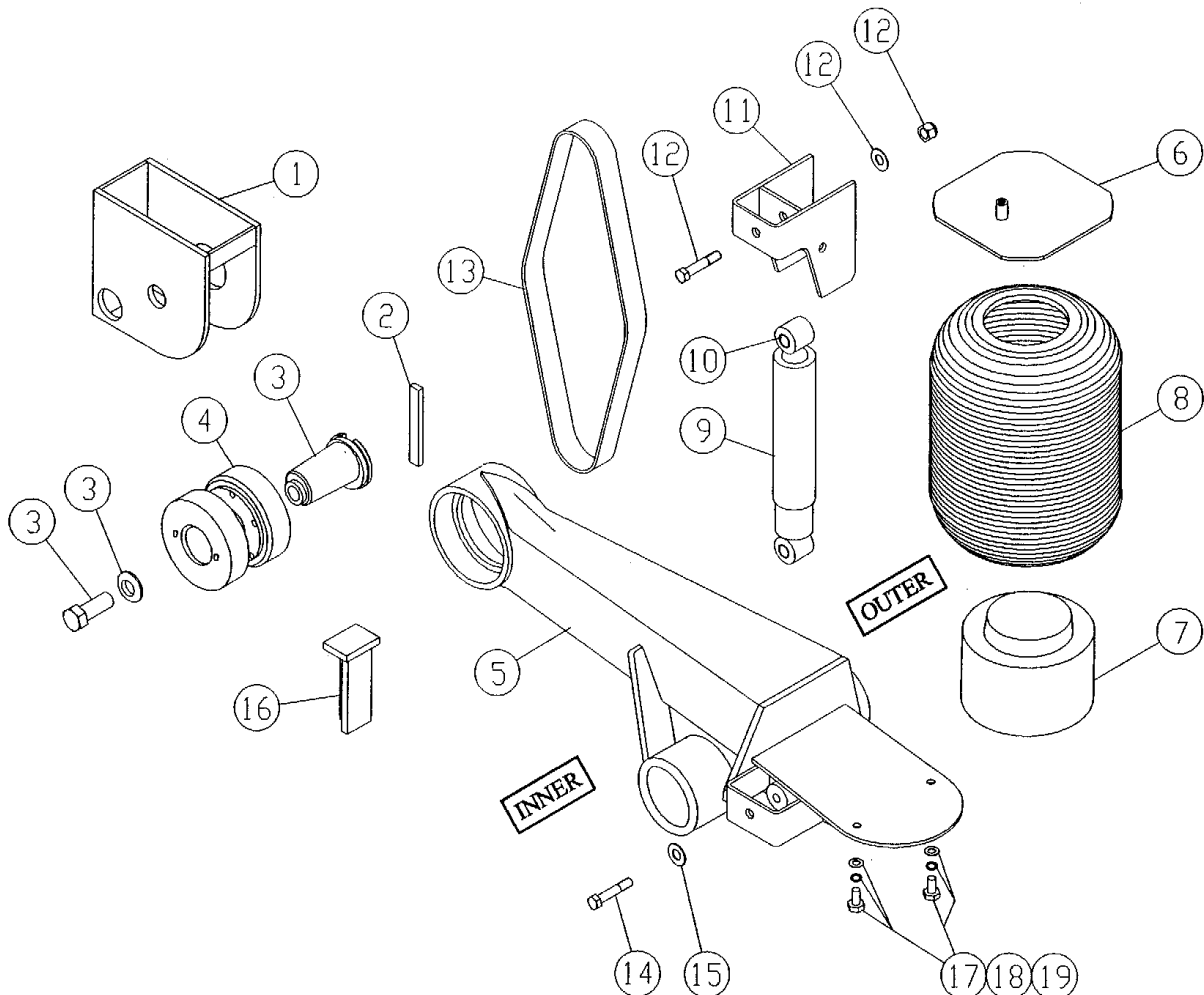
ITEM	PART NUMBER	DESCRIPTION	ITEM	PART NUMBER	DESCRIPTION
------	-------------	-------------	------	-------------	-------------



1	YRK-207570	SPRING – 9 TONNE	16	YRK-787837	SLEEVE – SHOCK BUSH
	YRK-787800	SPRING – 11 TONNE	17	YRK-LNM12	M12 NYLOC NUT
2	AIR-B-1R14-061	AIR SPRING – 300-400 RIDE HT	18	YRK-506196	AIRBAG TOP PLATE – 200/300 HT
	AIR-B-1R14-059	AIR SPRING – 200 RIDE HT		YRK-506190-03	AIRBAG TOP PLATE – 350 HT
3	YRK-787850	AXLE SEAT		YRK-506190-04	AIRBAG TOP PLATE – 400/600 HT
4	YRK-506717-01	SHOCK ABSORBER – BAR/PIN		YRK-506190-05	AIRBAG TOP PLATE – 450 HT
	YRK-506717-02	SHOCK ABSORBER – EYE	19	YRK-787688	AIRBAG PLATE – 80mm OFFSET
5	YRK-507121	FRONT HANGER – 200mm RIDE	20	*	AXLE RESTRAINT STRAP
	YRK-507741-02	FRONT HANGER – 300mm RIDE	21	YRK-786154	BOLT ASSY-NYLON RESTRAINT
	YRK-507741/03	FRONT HANGER – 350mm RIDE		YRK-786155	BOLT ASSY.-WIRE RESTRAINT
	YRK-507741-04	FRONT HANGER – 400mm RIDE	22	YRK-12175080	SOCKET HEAD BOLT – M12 X 80
	YRK-787669	FRONT HANGER – 600mm RIDE	23	YRK-12175030	HEX BOLT – M12 X 30
6	YRK-786152	TOP SHOCK BOLT ASSEMBLY	24	YRK-SWM12	SPRING WASHER – M12
7	YRK-506235	SPRING CLAMP PLATE	25	YRK-12175070	C/SUNK BOLT – M12 X 70
8	YRK-786153	BOTTOM SHOCK BOLT ASSY.	26	YRK-506227	TECAIR 1 PIVOT BOSS
9	YRK-506247	PIVOT BOLT – M30	27	YRK-506226	TECAIR 1 WEAR PAD
10	YRK-506245-320	M24 X 320mm U-BOLT	28	YRK-506225-01	SHOCK BOSS – SHOULDERED
11	YRK-506242	PIVOT BUSH		YRK-506225-02	SHOCK BOSS – STRAIGHT
12	YRK-506234	TRACKING PLATE		YRK-506248	BAR PIN – LOWER SHOCK
13	YRK-506284	UPPER SHIM			
14	YRK-506294	LOWER SHIM			
15	YRK-787673	BUSH – SHOCK ABSORBER			

4-13

YORK F.B SERIES AIR SUSPENSION

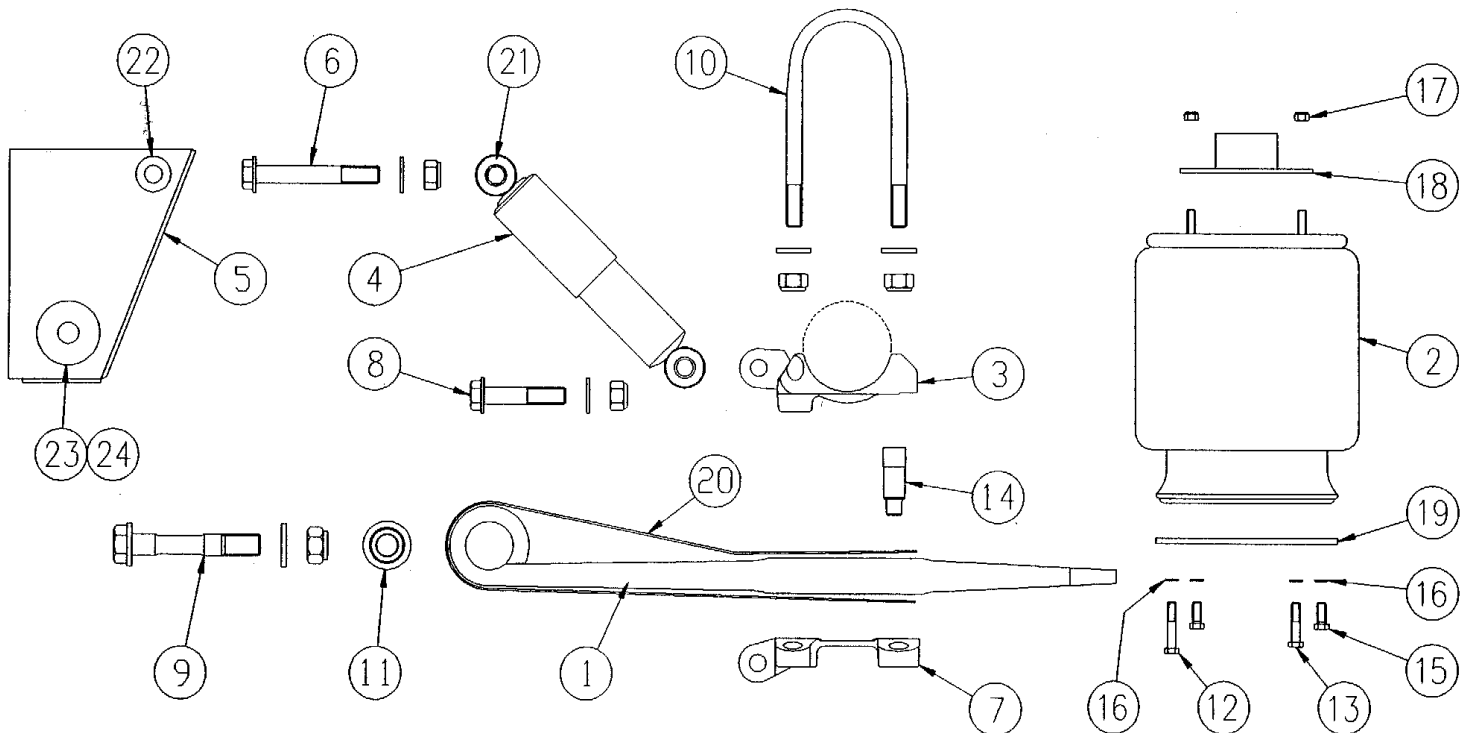




ITEM	PART NUMBER	DESCRIPTION	ITEM	PART NUMBER	DESCRIPTION
1	YRK-610001-01	L.H HANGER	9	YRK-610052	SHOCK ABSORBER-190/400
	YRK-610001-02	R.H HANGER		YRK-610053	SHOCK ABSORBER-150/300/370
2	YRK-610008	LOCKING BAR – HANGER	10	YRK-610062	BUSH – SHOCK ABSORBER
3	YRK-SB610009	PIVOT PIN ASSEMBLY		YRK-787922	BUSH – SHOCK ABSORBER
4	YRK-610013	PIVOT BUSH – INNER	11	YRK-610054	TOP SHOCK BRACKET – STD.
	YRK-610012	PIVOT BUSH – OUTER		YRK-610055	TOP SHOCK BRACKET – SUB
5	YRK-610014-01	L.H BEAM ASSY.-370/400 RIDE	12	YRK-786157	TOP SHOCK BOLT ASSEMBLY
	YRK-610014-02	R.H BEAM ASSY.-370/400 RIDE	13	YRK-610065-01	RESTRAINT STRAP – BLUE
	YRK-610033-01	L.H BEAM ASSY.-150/190 RIDE		YRK-610065-02	RESTRAINT STRAP – GREEN
	YRK-610033-02	R.H BEAM ASSY.-150/190 RIDE		YRK-610065-03	RESTRAINT STRAP – BLACK
	YRK-610071-01	L.H BEAM ASSY.-300 RIDE	14	YRK-5/8UNC300	BOLT – 5/8” UNC X 3”
	YRK-610071-02	R.H BEAM ASSY.-300 RIDE	15	HDW-WH-0625	5/8” HARDENED WASHER
6	YRK-610205	AIRBAG TOP MOUNT ASSY.	16	YRK-610067	CHASSIS STOP
7	YRK-610043	PISTON ASSY. – 190/400 RIDE	17	YRK-12175030	BOLT – M12 X 30
	YRK-610044	PISTON ASSY. – 150/300/370 RI	18	YRK-SWM12	M12 SPRING WASHER
	YRK-610128	AIRBAG BOTTOM PLATE	19	YRK-FWM12	M12 FLAT WASHER
8	YRK-610049	AIRBAG – 190/400 RIDE			
	YRK-610050	AIRBAG – 150/300/370 RIDE			
	AIR-B-1R12-547	AIRBAG ASSY. – 190/400 RIDE			
	AIR-B-1R11-039	AIRBAG ASSY.- 150/300/370 RIDE HEIGHT			

4-15

YORK TECAIR 2 AIR SUSPENSION

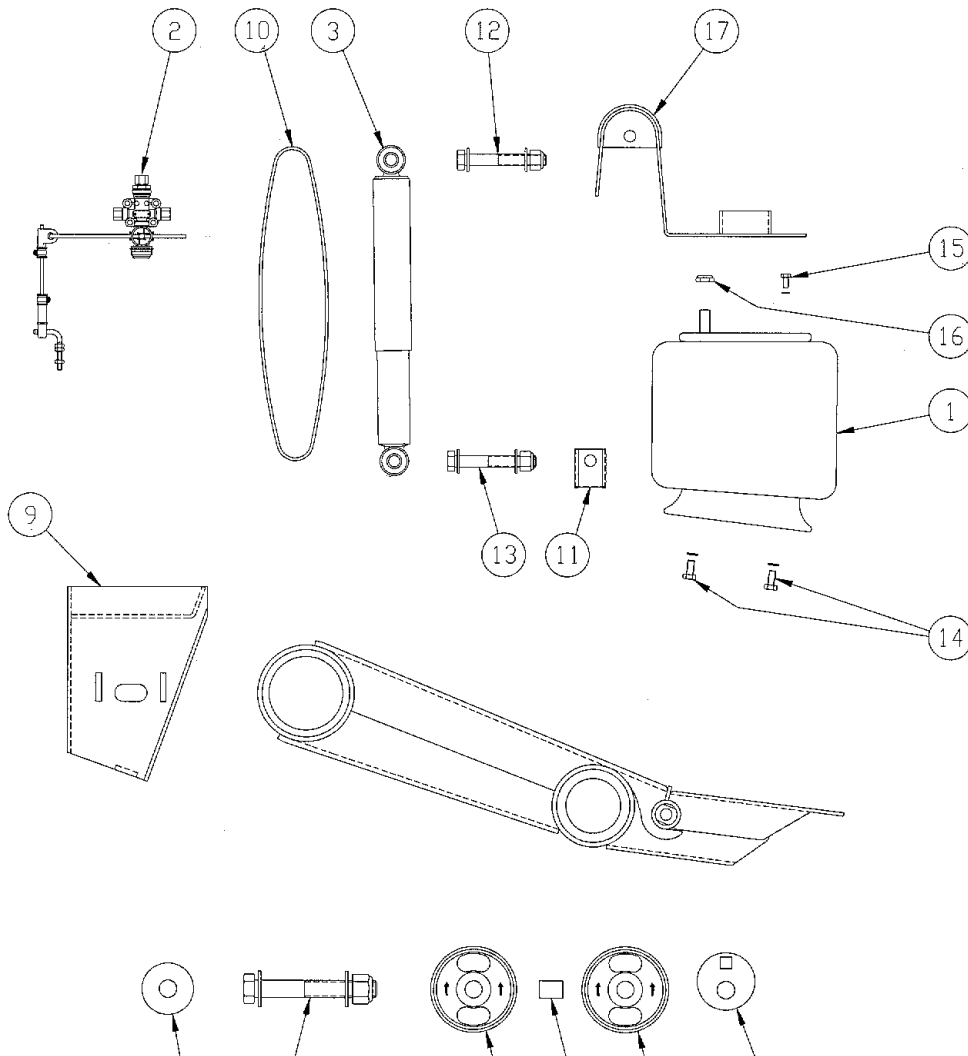




ITEM	PART NUMBER	DESCRIPTION	ITEM	PART NUMBER	DESCRIPTION
1	YRK-787808	SPRING – 9 TONNE	13	YRK-12175055	BOLT – M12 X 55mm
2	AIR-B-1R14-059	AIR SPRING ASSEMBLY	14	YRK-787804	DOWEL PIN (SPRING)
3	YRK-787801	AXLE SEAT (REFER YORK)	15	YRK-12175030	BOLT – M12 X 30mm
4	YRK-787803	SHOCK ABSORBER – H/DUTY	16	YRK-SWM12	M12 SPRING WASHER
5	YRK-787805	HANGER – 235/420 RIDE	17	SYM-LNM12	M12 NYLOC NUT
	YRK-787805-5	HANGER – 260/445 RIDE	18	YRK-506196	TOP PLATE – 235/420 RIDE
	YRK-787805-1	HANGER – 285/470 RIDE		YRK-506190-01	TOP PLATE – 260/445 RIDE
	YRK-787805-6	HANGER – 310/495 RIDE		YRK-506190-03	TOP PLATE – 285/470 RIDE
	YRK-787805-2	HANGER – 335/520 RIDE		YRK-506190-08	TOP PLATE – 310/495 RIDE
	YRK-787805-3	HANGER – 360/545 RIDE		YRK-506190-04	TOP PLATE – 335/520 RIDE
6	YRK-786152	TOP SHOCK BOLT ASSEMBLY		YRK-509190-07	TOP PLATE – 360/545 RIDE
7	YRK-787807	CLAMP PLATE	19	YRK-787832	BOTTOM PLATE – AIRBAG
8	YRK-786156	BOTTOM SHOCK BOLT ASSY.	20	YRK-787830	WRAPPER LEAF
9	YRK-506247	PIVOT BOLT – M30 X 3.5	21	YRK-787921	BUSH – SHOCK ABSORBER
10	YRK-506245-270	U-BOLT – M24 X 270mm	22	YRK-506225-01	BOSS – SHOCK (PRE 1995)
	YRK-506245-290	U-BOLT – M24 X 290mm		YRK-506225-02	BOSS – SHOCK (AFTER 1995)
11	YRK-506242	PIVOT BUSH	23	YRK-787805-10	PIVOT BOSS – HANGER
12	YRK-12175065	BOLT – M12 X 65mm	24	YRK-787805-11	WEAR PAD - HANGER

4-14

LM SERIES T.M.C AIR SUSPENSION

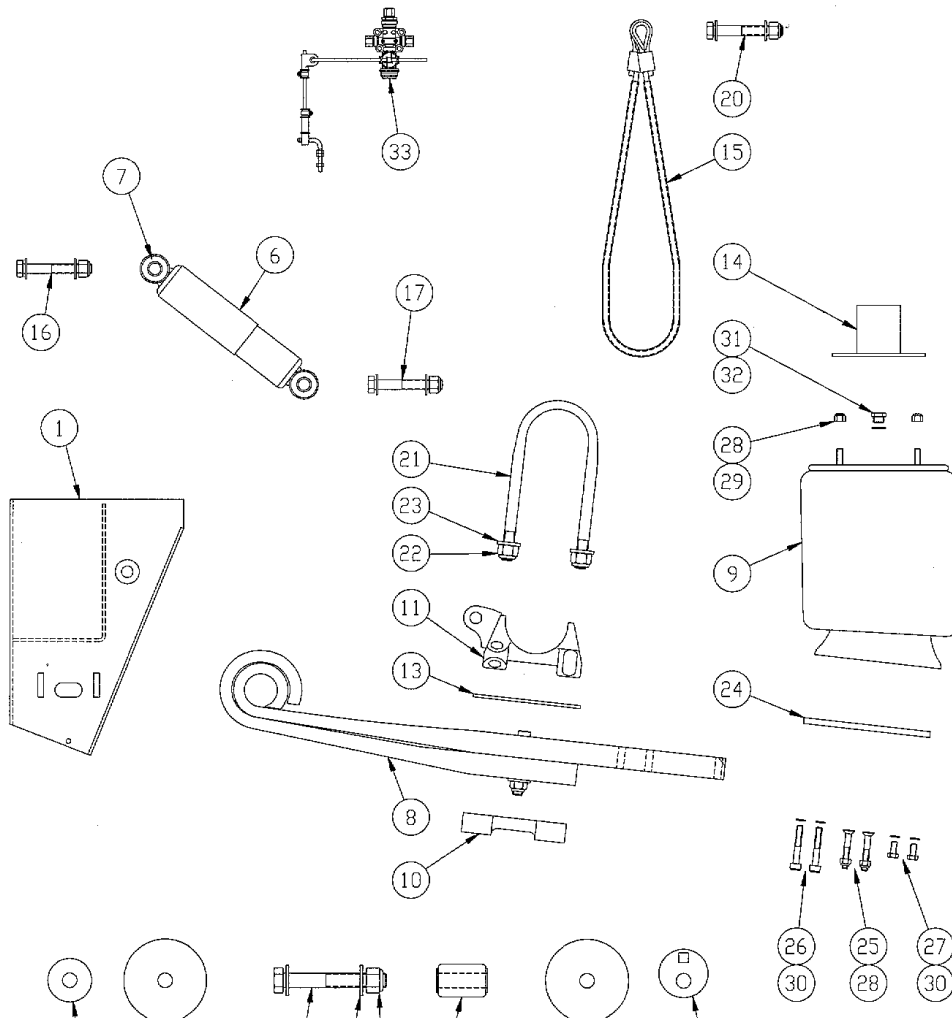




ITEM	PART NUMBER	DESCRIPTION	ITEM	PART NUMBER	DESCRIPTION
1	TMC-626104	AIR SPRING – 1R12-438	10	TMC-626134	RESTRAINT STRAP – SHOCK
2	WST-4640060020	HEIGHT CONTROL VALVE	11	TMC-626135	CLIP – RESTRAINT STRAP
3	TMC-626110	SHOCK ABSORBER	12	TMC-626161SB	TOP SHOCK BOLT ASSEMBLY
4	TMC-626117	PIVOT BUSH (4 PER MODULE)	13	TMC-626162SB	LOWER SHOCK BOLT ASSY.
5	TMC-626117-01	JOINING SLEEVE	14	HDW-BC050011	MOUNT BOLT – AIR SPRING
6	TMC-626122SB	PIVOT BOLT,NUT AND WASHER	15	HDW-BC0375-10	TOP MOUNT BOLT – AIR SPRING
7	TMC-626123	ALIGNMENT WASHER	16	HDW-NF-0750	TOP MOUNT NUT – AIR SPRING
8	TMC-626126	HANGER PIVOT WASHER	17	TMC-626139-01	L.H SHOCK BRACKET – 250/380
9	TMC-626127-01	L.H HANGER – 250/380 RIDE		TMC-626139-02	R.H SHOCK BRACKET – 250/380
	TMC-626127-02	R.H HANGER – 250/380 RIDE		TMC-626140-01	L.H SHOCK BRACKET – 290/420
	TMC-626128-01	L.H HANGER – 290/420 RIDE		TMC-626140-02	R.H SHOCK BRACKET – 290/420
	TMC-626128-02	R.H HANGER – 290/420 RIDE		TMC-626141-01	L.H SHOCK BRACKET – 320/450
	TMC-626129-01	L.H HANGER – 320/450 RIDE		TMC-626141-02	R.H SHOCK BRACKET – 320/450
	TMC-626129-02	R.H HANGER – 320/450 RIDE		TMC-626142-01	L.H SHOCK BRACKET – 200/340
	TMC-626130-01	L.H HANGER – 200/340 RIDE		TMC-626142-02	R.H SHOCK BRACKET – 200/340
	TMC-626130-02	R.H HANGER – 200/340 RIDE			

4-11

11T T.M.C AIR SUSPENSION

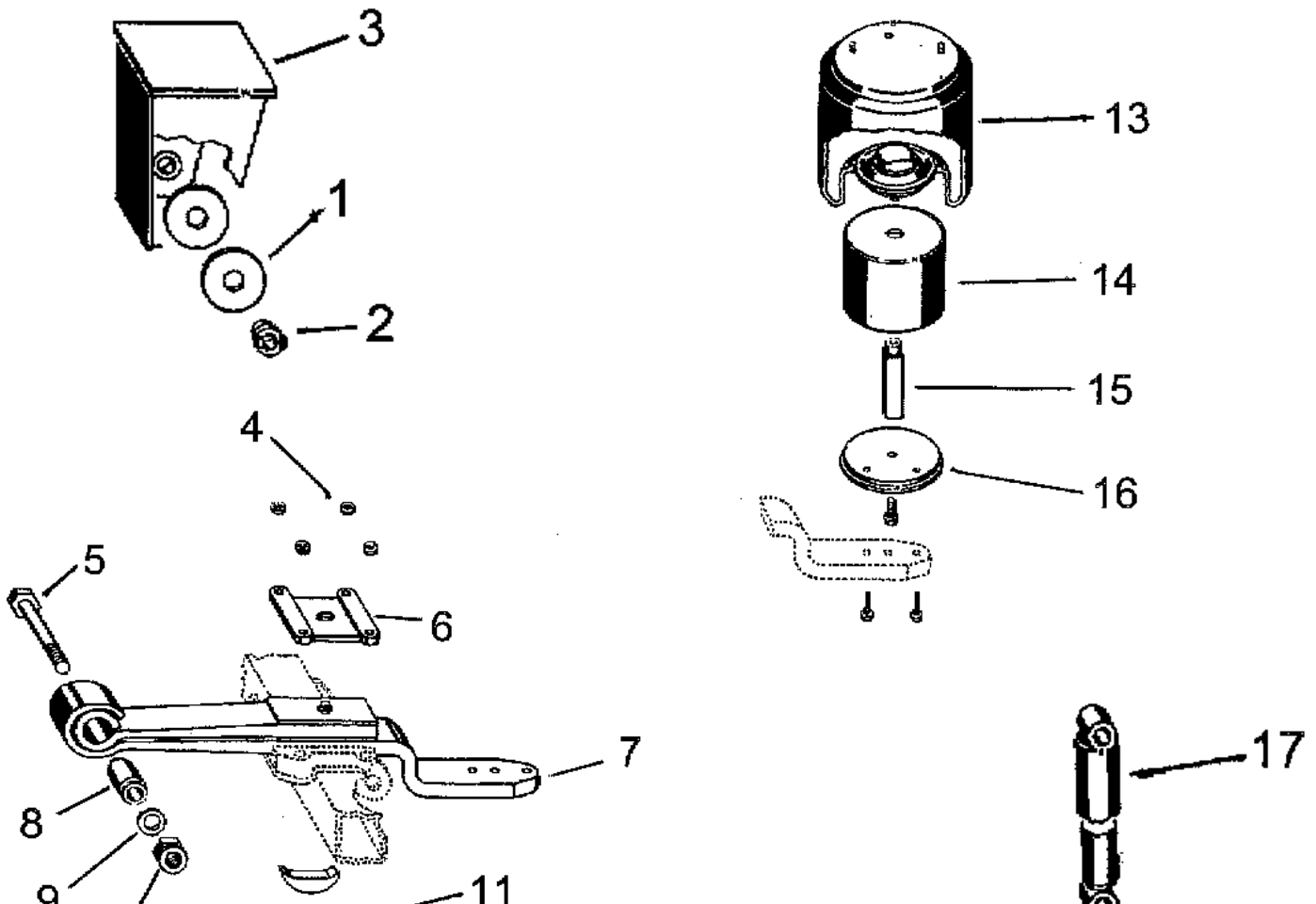


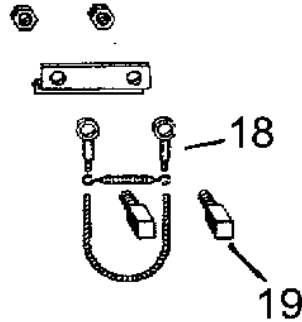


ITEM	PART NUMBER	DESCRIPTION	ITEM	PART NUMBER	DESCRIPTION
1	TMC-626930-400	HANGER ASSEMBLY	17	TMC-626920SB	LOWER SHOCK BOLT ASSY.
	TMC-626900-200	HANGER ASSEMBLY	18	TMC-9LNM30	NUT – PIVOT BOLT
2	TMC-626934	THRUST WASHER	19	TMC-9FWH30	WASHER – PIVOT BOLT
3	TMC-626123	ALIGNMENT WASHER	20	TMC-626924SB	BOLT ASSEMBLY–RESTRAINT
4	TMC-626126	HANGER PIVOT WASHER	21	TMC-626925SB	U-BOLT COMPLETE
5	TMC-626122SB	PIVOT BOLT,NUT & WASHER	22	TMC-626926	NUT – U-BOLT
6	TMC-626906	SHOCK ABSORBER	23	TMC-9FWM24	WASHER – U-BOLT
7	TMC-626906-02	BUSH – SHOCK ABSORBER	24	TMC-626928	BOTTOM PLATE – AIR SPRING
8	TMC-626907SB	11T SPRING WITH BUSH	25	TMC-12175070	BOLT – M12 X 70
9	TMC-626908	AIR SPRING – 200mm RIDE	26	TMC-12175080	SOCKET BOLT – M12 X 80
	TMC-626909	AIR SPRING – 400mm RIDE	27	TMC-12175030	BOLT – M12 X 30
10	TMC-626910	CLAMP PLATE	28	TMC-9LNM12	NYLOC NUT – M12
11	TMC-626101	SPRING SEAT	29	TMC-9FWM12	FLAT WASHER – M12
12	TMC-626912	PIVOT BUSH	30	TMC-9SWM12	SPRING WASHER – M12
13	TMC-626913	PLATE – AXLE SEAT	31	TMC-625235	ADAPTOR – M22 X ¼”
14	TMC-626916	AIRBAG TOP PLATE	32	TMC-625236	SEAL SET – M22
15	TMC-626918	RESTRAINT CABLE	33	WST-4640060020	HEIGHT CONTROL VALVE
16	TMC-626919SB	TOP SHOCK BOLT ASSEMBLY			

4-12

B.P.W OM/OT AIR SUSPENSION





ITEM	PART NUMBER	DESCRIPTION	ITEM	PART NUMBER	DESCRIPTION
1	TPC-0332036080TS	HANGER WASHERS	13	TPC-0542940010	AIRBAG ONLY – TYPE 36
2	TPC-0311302060TS	HANGER BOSS		TPC-0542940030	AIRBAG ONLY – TYPE 30
3*		HANGER ASSEMBLY		TPC-0542940910	AIRBAG ONLY – TYPE 30K
4	TPC-0252207412	NUT – U-BOLT M24	14*	TPC-0313939430	AIRBAG PISTON – TYPE 36
5	TPC-0334015270	PIVOT BOLT		TPC-0313939420	AIRBAG PISTON – TYPE 30
6*	TPC-0514522200	SPRING TOP	15	TPC-0308446280	CENTRE BOLT
7*		LEAF SPRING	16*	TPC-0332009150	BOTTOM PLATE – TYPE 36
8	TPC-0203160600	PIVOT BUSH – RUBBER		TPC-0332009190	BOTTOM PLATE – TYPE 30
	TPC-0203169000	PIVOT BUSH – STEEL	17*	TPC-0237025200	SHOCK ABSORBER
9	TPC-0332031240	WASHER	18*		CHECK STRAP – NOMINAL SIZE AVAILABLE
10	TPC-0252208126	NUT – M30 PIVOT BOLT	19	TPC-0317725050	SCREW
11	TPC-0334523030	SEGMENT – U-BOLT	20	TPC-0252051704	HEXAGON NUT – M30
12*	TPC-0313844080	U-BOLT – 280MM			
	TPC-0203169-KIT	PIVOT BOLT KIT INC. ITEMS 1,2,5,9,10			

ITEMS MARKED WITH A * HAVE OPTIONS AVAILABLE NOT LISTED ABOVE

AIRBAG CONVERSION

MOOD YEAR	FIRESTONE	OTHER	S.X PART NUMBER
66-28-3-027	IT15M6-9082	1R12-092	AIR-B-B2066
66-28-3-015	IT19G-5/8050	570 08 050	AIR-B-1R14-039
	IT15MLW7	1R12-366	AIR-B-C20217
66-26-3-036		1R13-077	USE AIR-B-C21208
66-26-3-036	IT15VM4	1R13-119	AIR-B-C21208
66-24-3-066	IT15MM9	1R12-375	AIR-B-C20124
	IT15M-11	1R12-256	AIR-B-S14249
	IT19F14	1R14-127	
66-26-3-039	IT17GL9.5	1R13-118	AIR-B-C20127
66-28-3-015	IT19G-5/5080	570 08 050	AIR-B-1R14-039
	IT17B5		AIR-B-C20900
	IT19FC6		AIR-B-C20901
	IT15MBTW6		AIR-B-S23721
	IT15MBTW10		AIR-B-S23611
	IT15MBTW12		AIR-B-S23612
	IT17CA5		AIR-B-S21800
66-24-3-225	IT15MT-6	1S12-027	AIR-B-1S12-019
66-24-3-225		1R12-424	
66-24-3-038	IT15MT-6	1R12-365	
66-24-1-019		1R12-403	AIR-B-1S12-019
66-24-3-097	IT15MT8	1S12-019	AIR-B-1S12-019
66-24-3-067			
	IT15MT4		
	IT15M2		AIR-B-58849-002
66-24-1-001	IT15MT8		
			AIR-B-98734-003



AIRBAG CONVERSION

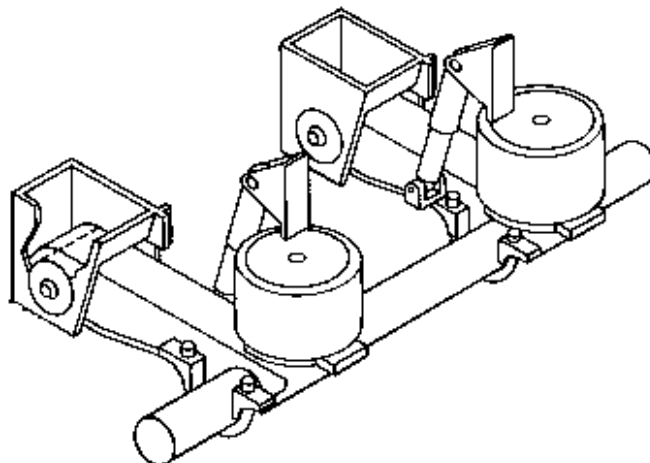
MOOD YEAR	FIRESTONE	OTHER	S.X PART NUMBER
		941MB	TPC-0542940030
		940MB	TPC-0542940910
		881MB	TPC-052940010
1R14-061	566-28-3-020	KR622-26	AIR-B-1R14-061
1R14-059	1T19F7-7337	810MB	AIR-B-1R14-059
1R14-059	1T19F7-7337	810MB	AIR-B-1R14-059
2A-460-295		720N	AIR-B-1R2A-460-295
1R12-092			AIR-B-1R12-092
1A-390-295		644N	AIR-B-1R1A-390-295
1R11-039			AIR-B-1R11-039
2A-460-295		720N	AIR-B-1R2A-460-295
1R12-092			AIR-B-1R12-092
1R11-111	1T15MP7	1DK21A-8	ROR-2501202
" "	" "	" "	ROR-2501202
" "	" "	" "	ROR-2501202
1R14-049	1T19F7	810MB	AIR-B-1R14-059
" "	" "	" "	AIR-B-1R14-059
1R12-438			TMC-626104
			TMC-626908
			TMC-626909
1R13-097		566-26-3-050	AIR-B-1R13-097
2B12-440	75507555	20018-1	
1R12-188	9223	566-24-3-038	
1R12-281	1T15M-9	566-24-3-066	FHF-UCE-9393-1



4-18

4-18

AIR SUSPENSION



HND-HT230-15 - HENDRICKSON HT230 SERIES OVERSLUNG AIRBAG SUSPENSION MODULE WITH 15" RIDE HEIGHT - 10,432KG CAPACITY PER AXLE

HND-HT230-17 - HENDRICKSON HT230 SERIES OVERSLUNG AIRBAG SUSPENSION MODULE WITH 17" RIDE HEIGHT - 10,432KG CAPACITY PER AXLE



HND-HT250US-25 - HENDRICKSON HT250US SERIES UNDERSLUNG AIRBAG SUSPENSION MODULE WITH 7.5" RIDE HEIGHT - 11,340KG CAPACITY PER AXLE

HND-HT250US-27 - HENDRICKSON HT250US SERIES UNDERSLUNG AIRBAG SUSPENSION MODULE WITH 9" RIDE HEIGHT - 11,340KG

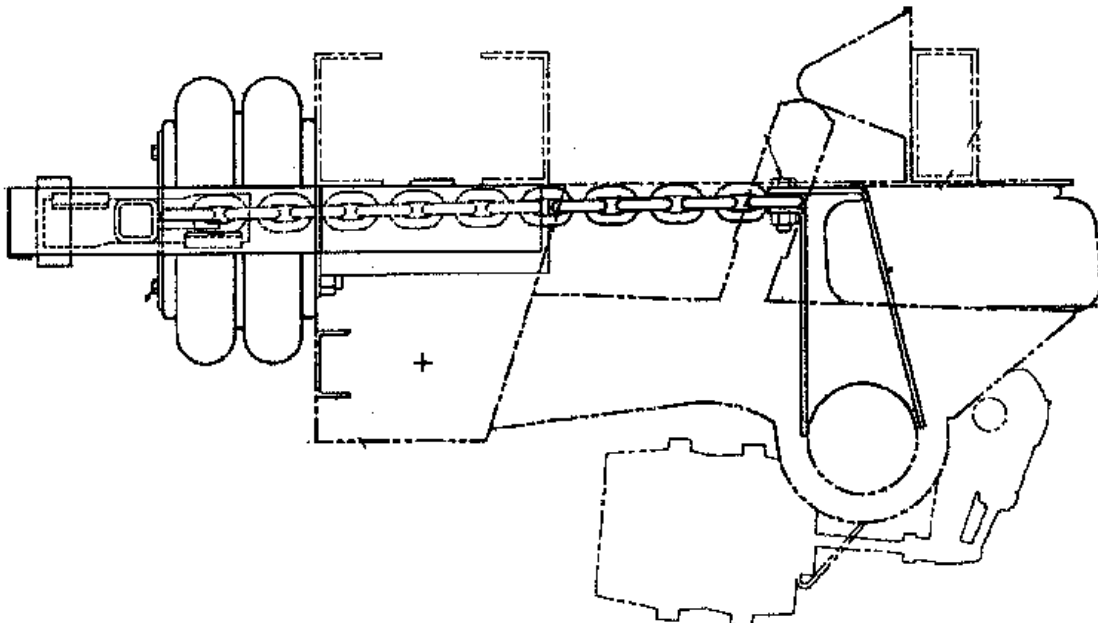
HND-AA250-20 - HENDRICKSON INTRAAX AIRBAG SUSPENSION MODULE WITH 10 STUD 285 P.C.D CONMET HUB AND CENTRIFUSE BRAKE DRUM

HND-AA250-80 - HENDRICKSON INTRAAX AIRBAG SUSPENSION MODULE WITH 10 STUD PROPAR AXLE, 285 P.C.D CONMET HUBS, CENTRIFUSE BRAKE DRUMS AND 15" RIDE HEIGHT.

HND-AA250-81 - HENDRICKSON INTRAAX AIRBAG SUSPENSION MODULE WITH 10 STUD PROPAR AXLE, 285 P.C.D CONMET HUBS, CENTRIFUSE BRAKE DRUMS AND 17" RIDE HEIGHT

4-1

HENDRICKSON LIFT AND PNEUMATIC KITS





HND-HTCL - AXLE LIFT KIT COMPLETE TO SUIT HT230 HENDRICKSON AIR SUSPENSION

HND-S-24343 - AXLE LIFT KIT COMPLETE TO SUIT HENDRICKSON INTRAAX AIR SUSPENSION

HND-98975-004 - AUTO LIFT AXLE CONTROL VALVE ONLY

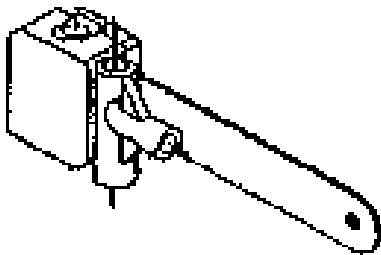
HND-NB1403L - MANUAL RAISE / LOWER VALVE KIT

AIR-V-SK7000 - HEIGHT CONTROL VALVE AND FITTINGS KIT WITH HALDEX VALVE

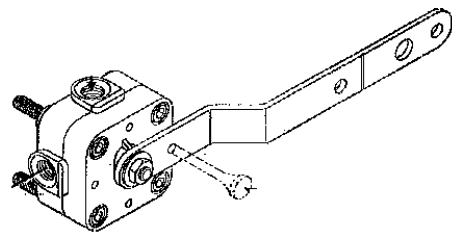
FRT-161-06150K - HEIGHT CONTROL VALVE KIT WITH RIDEWELL HEIGHT CONTROL VALVE
AND WILLIAMS PRESSURE REGULATOR VALVE

4-2

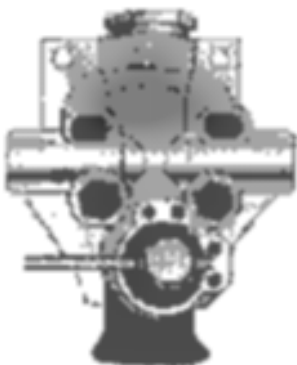
HEIGHT CONTROL VALVES



HND-57977
TRUCK/TRAILER VALVE
HENDRICKSON



AIR-V-60826-000
HEIGHT CONTROL VALVE KIT
HENDRICKSON

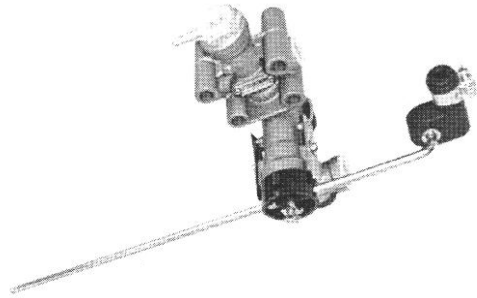




AIR-V-KN27000
HALDEX IMMEDIATE
RESPONSE VALVE



FRT-161-06152
RIDEWELL INSTANT
RESPONSE VALVE



AIR-V-450CE
HADLEY DELAY HEIGHT
CONTROL VALVE
KENWORTH



WST-4640060020
WABCO LEVELLING VALVE

AIR-V-500C
HADLEY PROGRESSIVE
RESPONSE VALVE
4-16

AIR SUSPENSION ACCESSORIES



FRT-203-02661 - AIR SUSPENSION WEIGH GAUGE



CALIBRATION OF GAUGE TO BE SET BY OWNER/OPERATOR



HND-NB1403L - RAISE / LOWER VALVE ASSEMBLY