

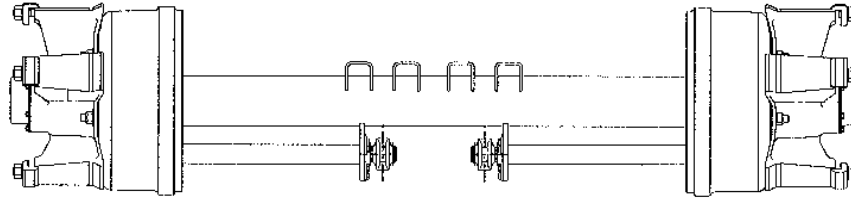


AXLE SECTION

SECTION 1



AXLE ASSEMBLY



EQP-AX-500 - MAXUS 5 SPOKE SPIDER AXLE ASSEMBLY C/W ENCLOSED CAMSHAFTS
71.5" AXLE TRACK AND MANUAL SLACK ADJUSTERS

EQP-AX-510A - MAXUS 5 SPOKE SPIDER AXLE ASSEMBLY C/W ENCLOSED CAMSHAFTS,
73" AXLE TRACK AND MANUAL SLACK ADJUSTERS

EQP-AX-512A - MAXUS II 5 SPOKE SPIDER AXLE ASSEMBLY C/W ENCLOSED CAMSHAFTS,
73" AXLE TRACK, DUST COVERS AND AUTOMATIC SLACK ADJUSTERS

EQP-AX-520 - MAXUS 10 STUD 285 P.C.D AXLE ASSEMBLY C/W ENCLOSED CAMSHAFTS,
73" AXLE TRACK, MANUAL SLACK ADJUSTERS AND STEEL HUB/CAST DRUM

EQP-AX-570 - 15" MAXUS 3 SPOKE SPIDER AXLE ASSEMBLY C/W ENCLOSED CAMSHAFTS,
71" AXLE TRACK AND MANUAL CURVED SLACK ADJUSTERS

EQP-AX-580 - 15" MAXUS 3 SPOKE SPIDER AXLE ASSEMBLY C/W ENCLOSED CAMSHAFTS,
77" AXLE TRACK AND MANUAL CURVED SLACK ADJUSTERS

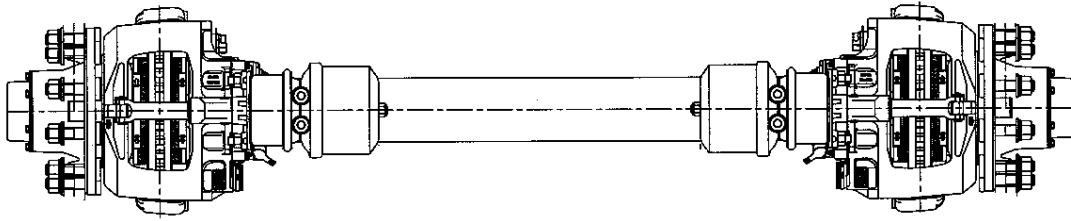
FRT-161-56039 - 73" TRACK AXLE BEAM ONLY C/W CAMSHAFTS AND AXLE NUTS

FRT-161-56043 - 71.5" TRACK AXLE BEAM ONLY C/W CAMSHAFTS AND AXLE NUTS

FRT-161-56045 - 74" TRACK 19.5" AXLE BEAM ONLY C/W CAMSHAFTS AND AXLE NUTS



AXLE ASSEMBLY



EQP-AX-700 - TMC 5 SPOKE SPIDER DUAL WHEEL AXLE ASSEMBLY C/W ENCLOSED CAMSHAFTS AND MANUAL SLACK ADJUSTERS

EQP-AX-720 - TMC 10 STUD 285mm P.C.D STEEL HUB DUAL WHEEL AXLE ASSEMBLY C/W ENCLOSED CAMSHAFTS AND MANUAL SLACK ADJUSTERS

EQP-AX-730 - TMC 10 STUD 335mm P.C.D STEEL HUB DUAL WHEEL AXLE ASSEMBLY C/W ENCLOSED CAMSHAFTS AND MANUAL SLACK ADJUSTERS

EQP-AX-750 - TMC 8 STUD 275mm P.C.D STEEL HUB DUAL WHEEL 19.5" AXLE ASSEMBLY C/W ENCLOSED CAMSHAFTS AND MANUAL SLACK ADJUSTERS

EQP-AX-760 - TMC 10 STUD 285mm P.C.D STEEL HUB DUAL WHEEL **DISC BRAKE** AXLE ASSEMBLY COMPLETE

EQP-AX-770 - TMC 10 STUD 335mm P.C.D STEEL HUB DUAL WHEEL **DISC BRAKE** AXLE ASSEMBLY COMPLETE

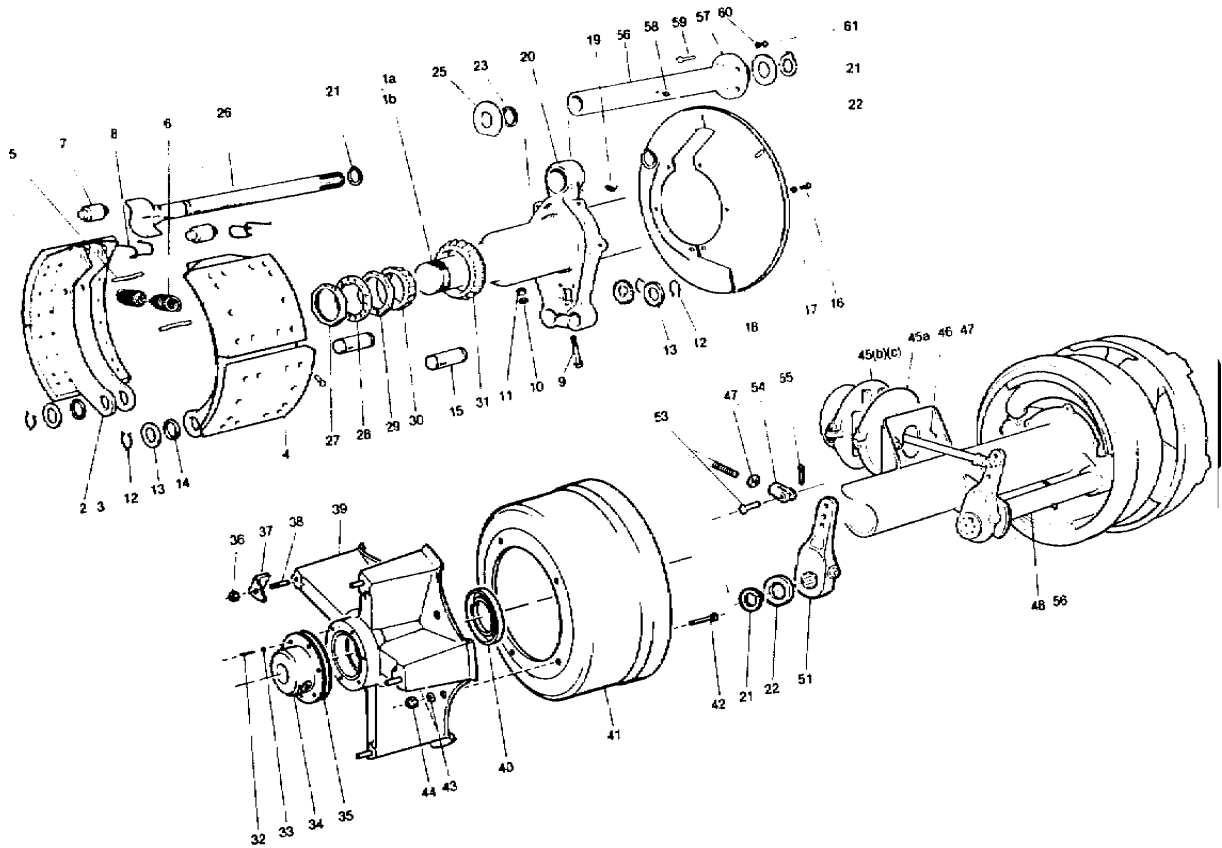
EQP-AX-780 - TMC 8 STUD 275mm P.C.D STEEL HUB DUAL WHEEL **DISC BRAKE** AXLE ASSEMBLY COMPLETE

EQP-AX-800 - TMC 5 SPOKE SPIDER DUAL WHEEL AXLE ASSEMBLY WITH PARALLEL BEARINGS C/W ENCLOSED CAMSHAFTS AND MANUAL SLACK ADJUSTERS

ALL AXLES LISTED ON THIS PAGE ARE 1850mm AXLE TRACK, HAVE A 16mm BEAM WALL THICKNESS AND ARE A 12 TONNE CAPACITY AXLE.



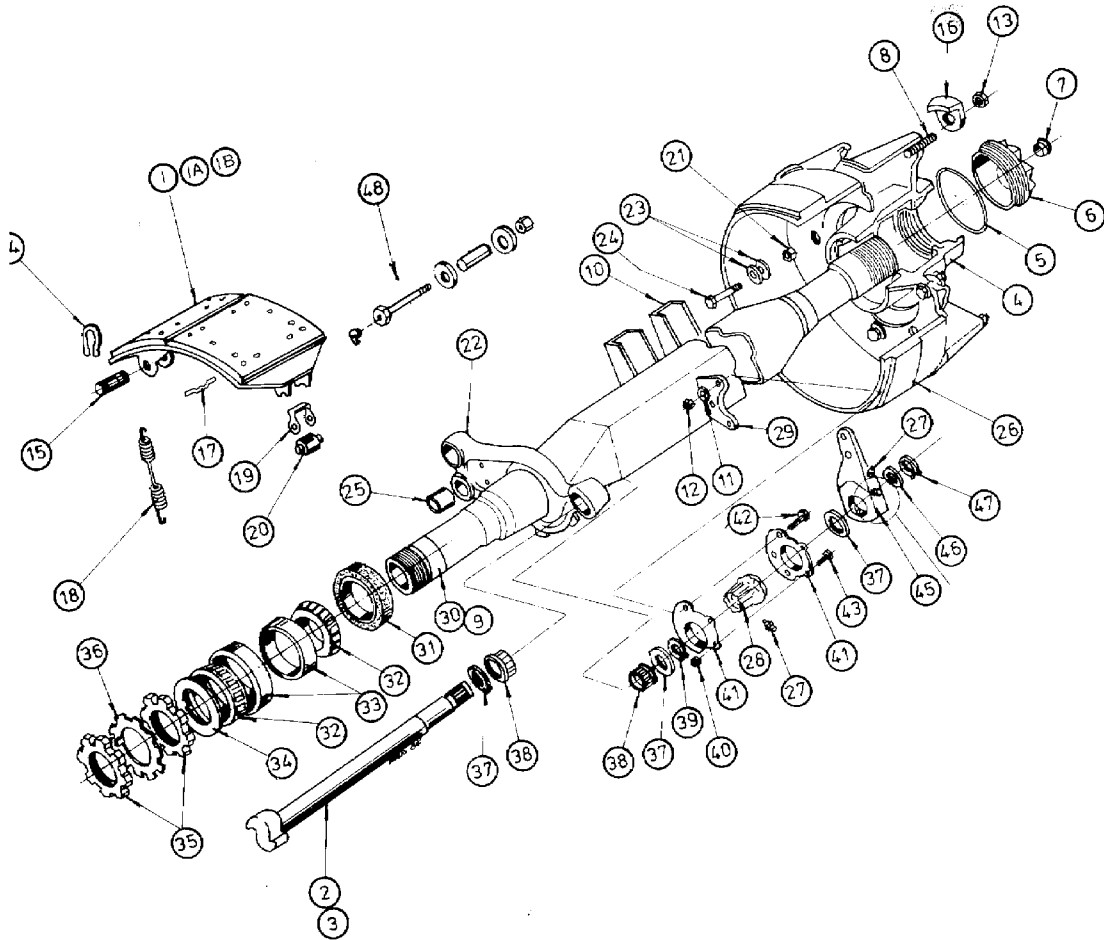
22H INGERSOLL AXLE



ITEM	PART NUMBER	DESCRIPTION	ITEM	PART NUMBER	DESCRIPTION
2	SXT-01-1050	LINED BRAKE SHOE	30	BRG-212011	BEARING CUP - OUTER
3	SXT-01-1060	UNLINED BRAKE SHOE		BRG-212049	BEARING CONE - OUTER
4	BND-4515HB	LINING SET - (EF)	31	BRG-218210	BEARING CUP - INNER
5	SXT-01-1160	RETAINER PIN		BRG-218248	BEARING CONE - INNER
6	SXT-01-1150	RETURN SPRING	32	HDW-BC-0312-07	BOLT - 5/16" X 3/4" UNC
7	SXT-01-1200	CAMROLLER - STD.	33	HDW-WLP-0312	WASHER - 5/16"
8	SXT-01-1210	ROLLER RETAINER	34	STM-343-4009	HUB CAP - 6 HOLE
9	HDW-B-0500-22	BOLT - 2 1/2" X 1/2"	35	STM-330-3067	GASKET
10	HDW-WLS-0500	SPRING WASHER - 1/2"	36	SXT-13-3501	WHEEL NUT - 3/4" UNC
11	HDW-NF-0500	NUT - 1/2"	37	SXT-13-3565	RIM CLAMP - G.P
12	SXT-01-1261	CIRCLIP	38	SXT-13-3500	WHEEL STUD - 3/4" UNC
13	SXT-01-1260	SPACER WASHER	39	SXT-06-6307	HUB - 5 SPOKE SPIDER
14	SXT-01-1070	WELD ON COLLAR	40	SXT-06-6068	GREASE SEAL - BARRIER
15	SXT-01-1251	ANCHOR PIN - LONG	41	SXT-01-1001	BRAKE DRUM - 5/6 HOLE
	SXT-01-1252	ANCHOR PIN - LONG BOLT ON	42	HDW-B-0750-20	BOLT - 3/4" X 2" UNF
	SXT-01-1250	ANCHOR PIN - SHORT	43	HDW-WH-0750	3/4" WASHER
	SXT-01-1248	ANCHOR PIN-SHORT BOLT ON	44	HDW-NCF-0750	3/4" CONE LOCKNUT
18	SXT-02-2200	DUST COVER SET	45	SXT-05-5101	30/30 SPRING BRAKE
21	SXT-04-4101	CIRCLIP - 38MM	48	SXT-04-4000	CAMSHAFT - R.H STD.
22	SXT-04-4051	SPACER WASHER		FRT-154-30125	CAMSHAFT - R.H LONG
23	SXT-02-2101	GREASE SEAL	50	FRT-161-06115	CAMTUBE BUSH - STEEL
25	SXT-04-4050	'D' WASHER	51	SXT-05-5155	SLACK ADJUSTER
26	SXT-04-4001	CAMSHAFT - L.H STD	53	SXT-05-5080	CLEVIS PIN
	FRT-154-30124	CAMSHAFT - L.H LONG	54	SXT-05-5079	YOKE/CLEVIS ASSEMBLY
27	SXT-06-6005	AXLE NUT - OUTER	56	FRT-161-06106	CAMTUBE - STANDARD
28	SXT-06-6007	AXLE LOCK WASHER		FRT-154-30126	CAMTUBE - LONG
29	SXT-06-6006	AXLE NUT - INNER	57	FRT-161-06105	BRACKET - CAMTUBE



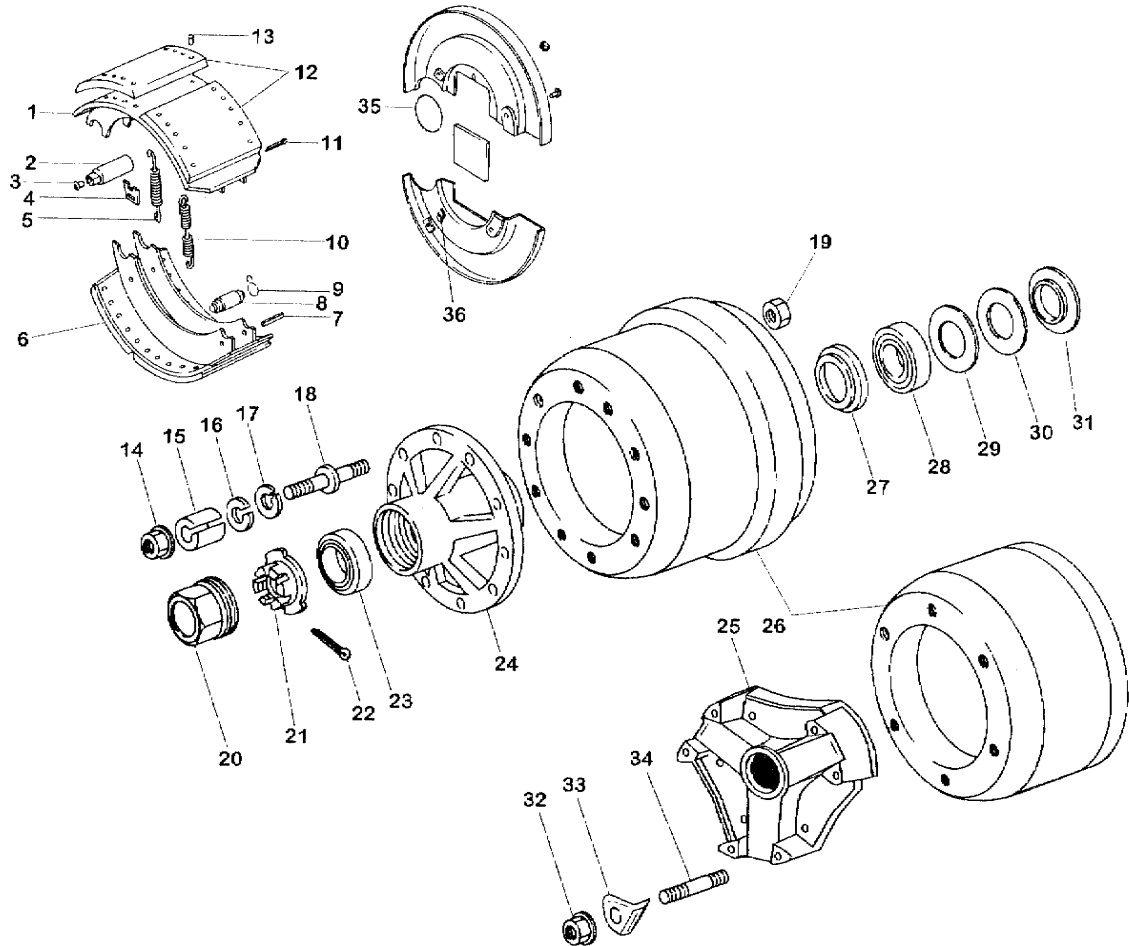
20" FRUEHAUF PROPAG



ITEM	PART NUMBER	DESCRIPTION	ITEM	PART NUMBER	DESCRIPTION
1	SXT-01-1051	LINED BRAKE SHOE	26	SXT-01-1002	BRAKE DRUM – FRUEHAUF
1A	SXT-01-1061	UNLINED BRAKE SHOE	28	SXT-03-3001	CAMSHAFT BUSH – INNER
1B	BND-4515HB	BRAKE LINING SET	31	SXT-06-6070	GREASE SEAL – BARRIER
2	SXT-04-4002	CAMSHAFT – R.H LONG	32	BRG-518410	BEARING CUP – INNER/OUTER
3	SXT-04-4003	CAMSHAFT – L.H LONG	33	BRG-518445	BEARING CONE – INNER/OUTER
4	SXT-06-6303	HUB – 5 SPOKE HUB	34	SXT-06-6004	WASHER – AXLE NUT
5	SXT-06-6202	‘O’ RING – HUB CAP	35	FHF-ACE-1823	AXLE NUT – NEW STYLE
6	SXT-06-6200	HUB CAP COMPLETE	36	SXT-06-6002	AXLE NUT – OLD CASTLEATED
7	FHF-AXA-1005	PLUG – HUB CAP	37	FHF-ALA-18701	LOCK TAB WASHER
8	SXT-13-3500	WHEEL STUD – 3/4" UNC	38	SXT-04-4054	SPACER WASHER
13	SXT-13-3501	WHEEL NUT – 3/4" UNC	39	SXT-02-2052	CAMSHAFT BUSH – OUTER
15	SXT-01-1250	ANCHOR PIN – STANDARD	41	SXT-04-4100	CIRCLIP
16	SXT-13-3565	WHEEL CLAMP – STANDARD	44	SXT-03-3101	MOUNT BRACKET – CAMBUSH
17	SXT-01-1160	RETAINER PIN	45	SXT-01-1263	‘C’ WASHER
18	SXT-01-1150	RETURN SPRING	46	SXT-05-5151	SLACK ADJUSTER – 37 SPLINE
19	SXT-01-1210	ROLLER RETAINER – WIRE	47	SXT-04-4051	SPACER WASHER
20	SXT-01-1212	ROLLER RETAINER – BOLT ON	48	SXT-04-4101	CIRCLIP
25	SXT-01-1200	CAMROLLER – STANDARD		SXT-01-1248	ANCHOR PIN – BOLT ON
	SXT-02-2000	ANCHOR PIN BUSH – STAINLESS			
	SXT-02-2001	ANCHOR PIN BUSH - BRASS			



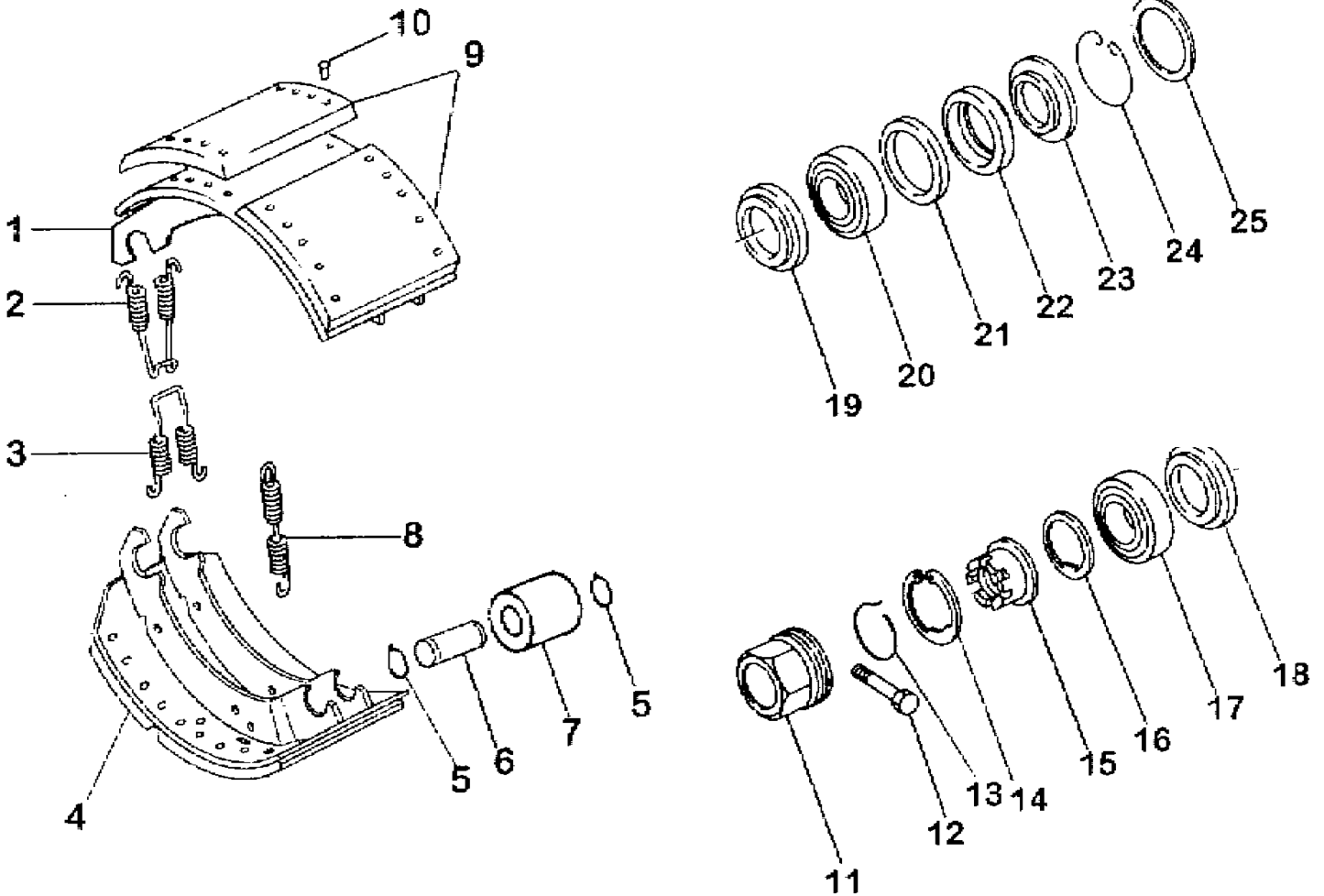
B.P.W NEW GENERATION



ITEM	PART NUMBER	DESCRIPTION	ITEM	PART NUMBER	DESCRIPTION
1	TPC-0509026062	UNLINED BRAKE SHOE	25	TPC-0832876290	3 SPOKE HUB - DUAL GREASE
2	TPC-0308446220	ANCHOR PIN	26	SXT-01-1009	BRAKE DRUM – SPIDER
4	TPC-0316723020	RETAINING WEDGE		TPC-0310667690	BRAKE DRUM – 285 P.C.D
5	TPC-0339744060	RETAINER SPRING		SXT-01-1014	BRAKE DRUM – 335 P.C.D
7	TPC-0300108050	RETAINER PIN – SPRING	27	TPC-0301004150	DUST COVER
8	TPC-0333134050	CAM ROLLER	28	BRG-33118	BEARING CUP/CONE – INNER
9	TPC-0335000130	ROLLER RETAINER	29	TPC-0331097300	GREASE SEAL – OUTER
10	SXT-01-1151	RETURN SPRING	30	TPC-0256644657	OIL SEAL
11	TPC-0262016603	SPLIT PIN – RETAINER		TPC-0331098210	GREASE SEAL - INNER
12	BND-BC-36-1	BRAKE LINING SET	31	TPC-0337007470	SEAL CARRIER – OIL
13	BND-R63	ALUMINIUM RIVETS (PKT 80)		TPC-0537007430	SEAL CARRIER – GREASE
14	TPC-0980617040	WHEEL STUD,NUT AND	32	SXT-13-3501	WHEEL NUT – ¾” UNC
19		BACKING NUT SET	33	SXT-13-3565	WHEEL CLAMP
20	TPC-0321224070	HUB CAP	34	SXT-13-3500	WHEEL STUD – ¾” UNC
21	TPC-0326217160	AXLE NUT	35	TPC-0312023060	O RING
22	TPC-0262018401	SPLIT PIN – AXLE NUT	36	TPC-0337900230	PLUG
23	BRG-33213	BEARING CUP/CONE - OUTER			



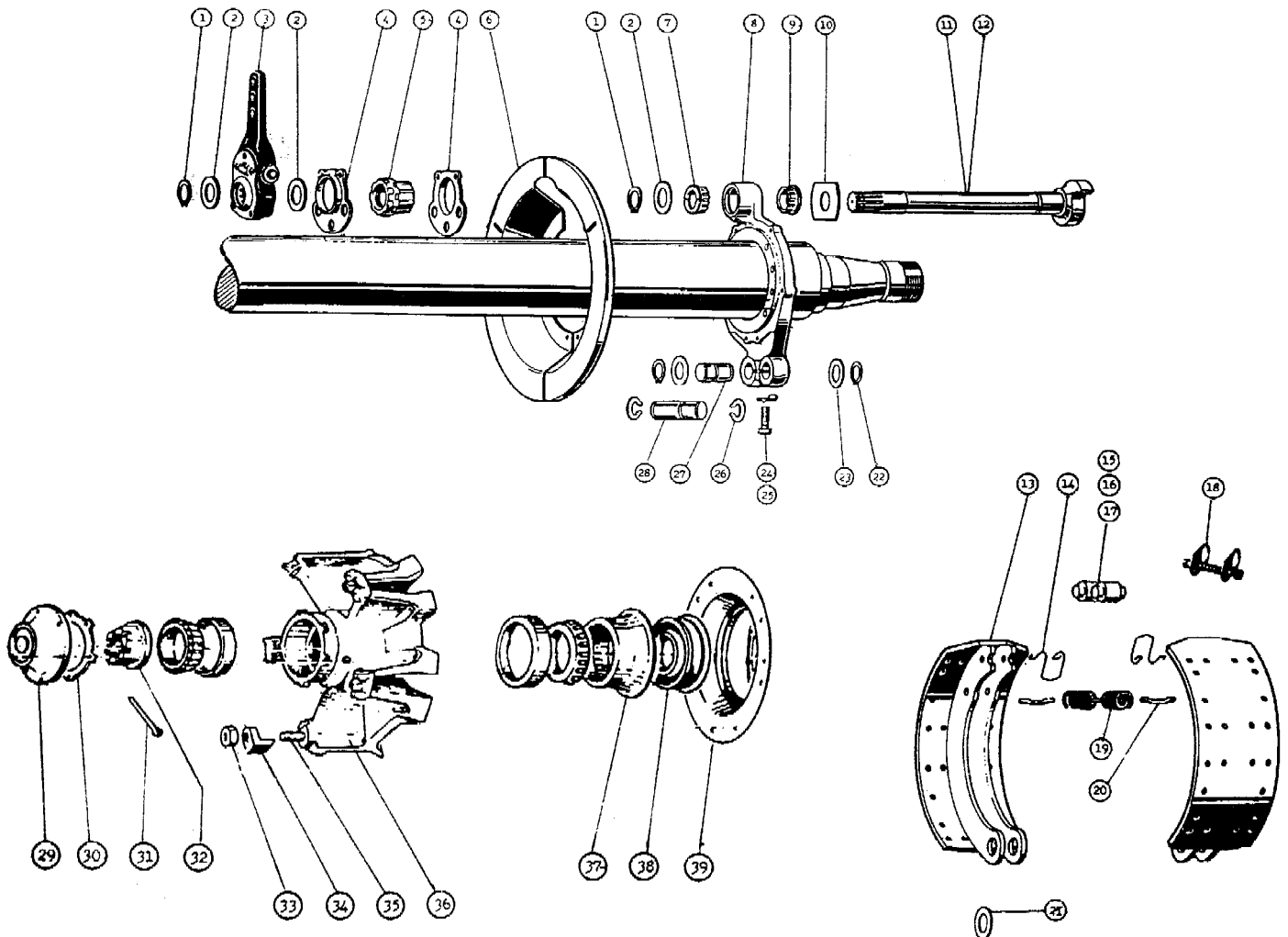
BPW BRAKE 95 AND ECO HUB



ITEM	PART NUMBER	DESCRIPTION	ITEM	PART NUMBER	DESCRIPTION
1	TPC-0509026140	BRAKE SHOE – UNLINED	14	TPC-0256062290	CIRCLIP
2	TPC-0339733060	POSITIONING SPRING-HOOK	15	TPC-0326647030	AXLE NUT – M52 X 2
3	TPC-0339733070	POSITIONING SPRING-STR.	16	TPC-0332064010	WASHER
4	TPC-0509119220	BRAKE SHOE LINED	17	BRG-33213	BEARING CUP/CONE – OUTER
5	TPC-0331070150	ROLLER RETAINER	18	TPC-0337026220	THRUST WASHER
6	TPC-0308475240	ROLLER SHAFT	19	TPC-0301093340	DUST COVER
7	TPC-0533144020	CAM ROLLER	20	BRG-33118	BEARING CUP/CONE – INNER
8	TPC-0539758030	RETURN SPRING	21	TPC-0256836300	RING
9	TPC-T090-4218	BRAKE LINING SET	22	TPC-0256645800	LIP SEAL
10	BND-R63	ALUMINIUM RIVET	23	TPC-0337007620	THRUST WASHER
11	TPC-0321225080	HUB CAP	24	TPC-0256066090	CIRCLIP
12	TPC-0308471170	PIN – SUIT LOCK RING	25		POLE RING – ABS
13	TPC-0318804080	LOCKING RING			



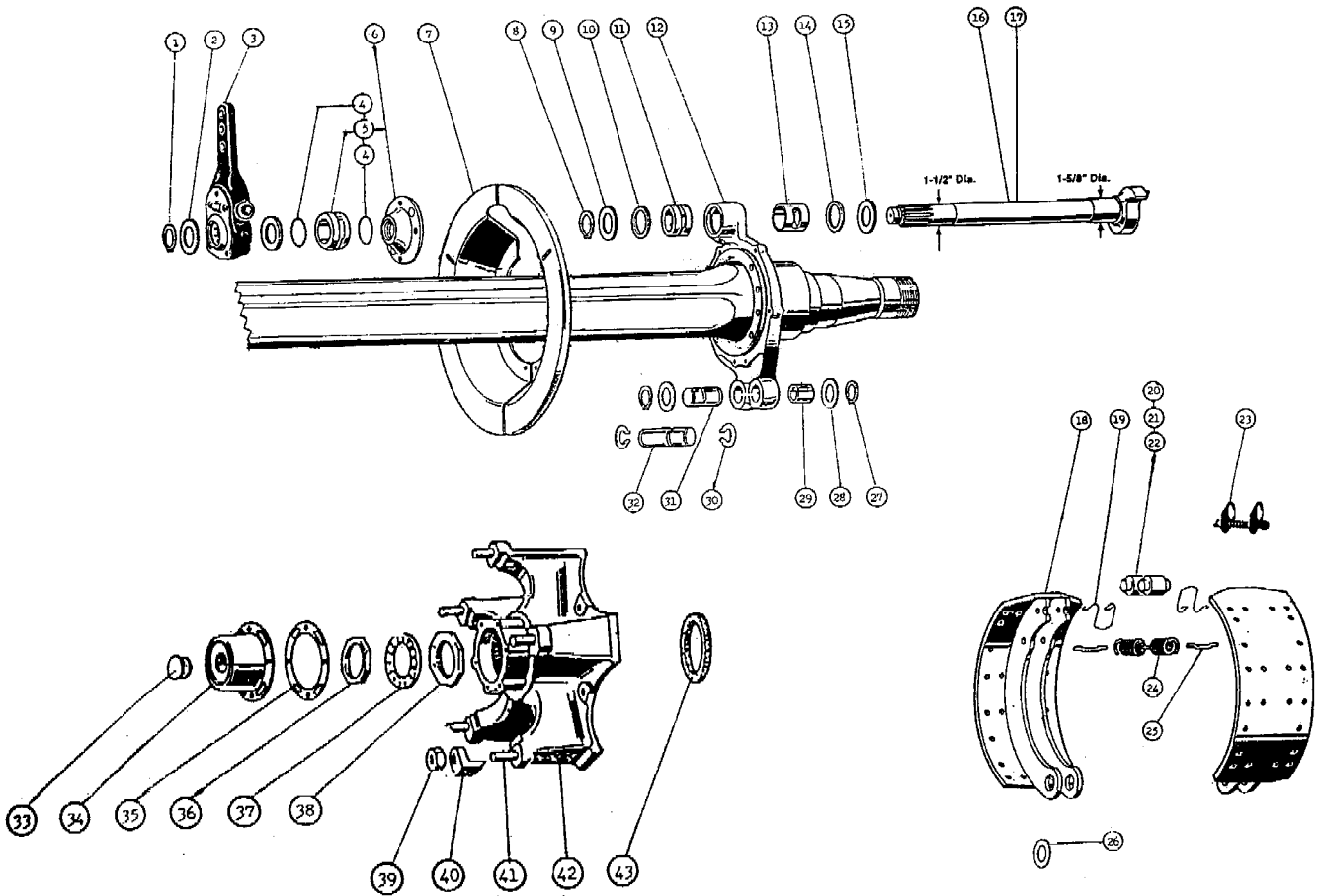
FREIGHTER MARK V AXLE



ITEM	PART NUMBER	DESCRIPTION	ITEM	PART NUMBER	DESCRIPTION
1	SXT-04-4101	CIRCLIP-38mm CAMSHAFT	23	SXT-01-1260	SPACER WASHER – A'PIN
2	SXT-04-4051	SPACER WASHER	24	HDW-B-0500-20	BOLT – ½" X 2"
3	SXT-05-5155	SLACK ADJUSTER	25	HDW-NYF-0500	½" NYLOC NUT
4	SXT-03-3101	CAMBUSH SUPPORT BKT.	26	SXT-01-1263	'C' WASHER
5	SXT-03-3000	CAMBUSH – INNER	27	SXT-01-1250	ANCHOR PIN-STANDARD
6	SXT-02-2200	DUST COVER SET	28	SXT-01-1248	ANCHOR PIN – BOLT ON
7	SXT-02-2050	CAMBUSH – OUTER	29	SXT-01-1251	ANCHOR PIN – LONG
8	FRT-154-00470	ANCHOR BRACKET	30	SXT-01-1252	ANCHOR PIN – LONG
9	SXT-02-2051	CAMBUSH – OUTER	31	FRT-237-00139	HUIB CAP
10	SXT-04-4050	'D' WASHER	32	FRT-208-00123	GASKET – HUB CAP
11	SXT-04-4000	R.H CAMSHAFT	33	HDW-SP-0312-32	SPLIT PIN
12	SXT-04-4001	L.H CAMSHAFT	34	FRT-206-00065	AXLE NUT
13	SXT-01-1060	BRAKE SHOE – UNLINED	35	FRT-208-00168	WHEEL NUT
	BND-4515HB	BRAKE LINING SET	36	FRT-237-00268	WHEEL CLAMP
14	SXT-01-1210	ROLLER RETAINER	37	FRT-208-00110	WHEEL STUD
15	SXT-01-1200	ROLLER – STANDARD	38	FRT-208-00165	HUB (NO LONGER AVAILABLE)
16	SXT-01-1201	ROLLER – 1/8" OVERSIZE		FRT-206-00076	WEAR RING
17	SXT-01-1202	ROLLER – ¼" OVERSIZE			WHEEL SEAL – FELT
18	SXT-01-1212	BOLT ON RETAINER KIT			
19	SXT-01-1150	RETURN SPRING			
20	SXT-01-1160	RETAINER PIN			
21	SXT-01-1070	WELD ON COLLAR			
22	SXT-01-1262	CIRCLIP – ANCHOR PIN			



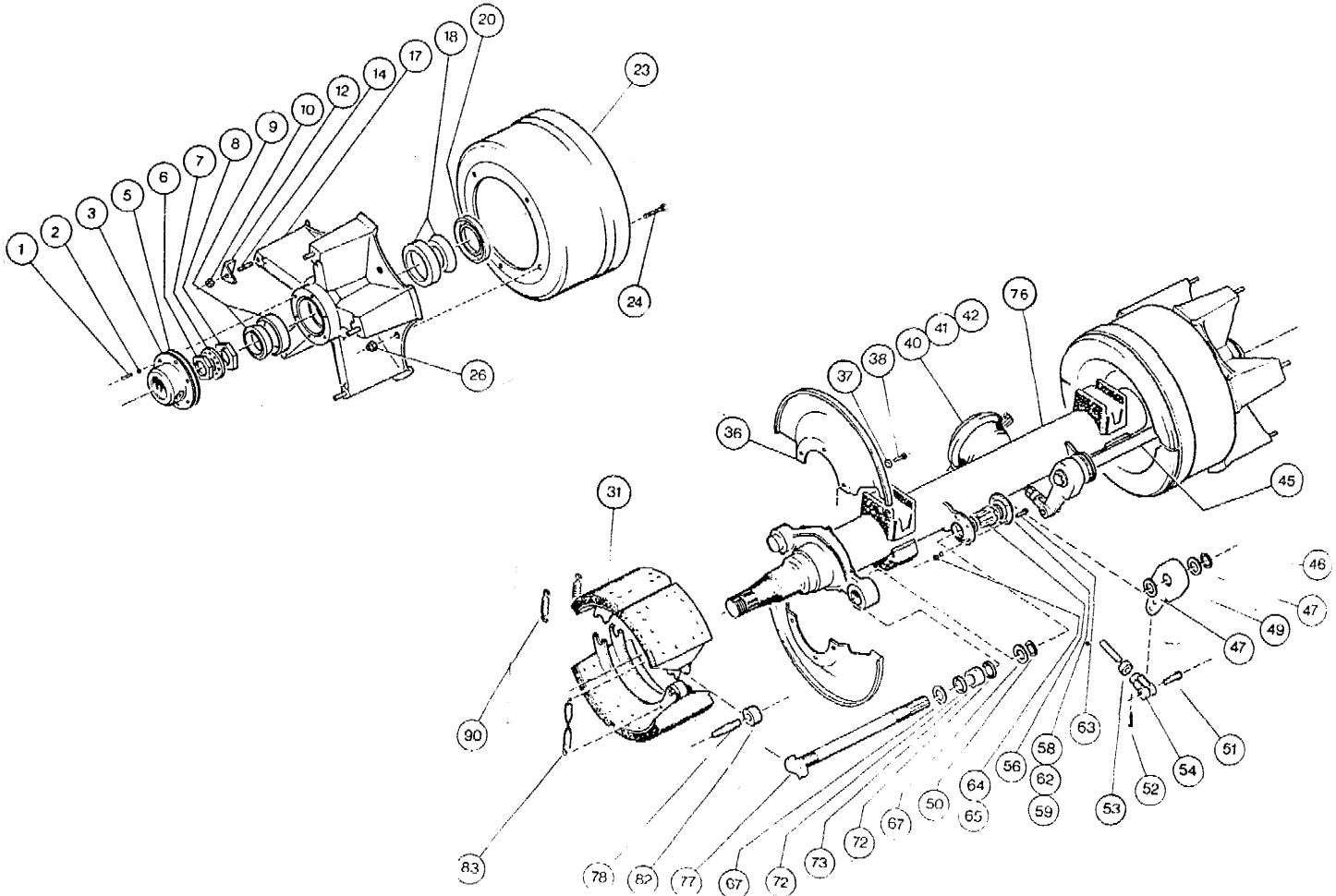
ROCKWELL ARN/ATN AXLE



ITEM	PART NUMBER	DESCRIPTION	ITEM	PART NUMBER	DESCRIPTION
1	SXT-01-1261	CIRCLIP – CAMSHAFT	24	SXT-01-1150	RETURN SPRING
2	SXT-01-1260	SPACER WASHER	25	SXT-01-1160	RETAINER PIN
3	SXT-05-5155	SLACK ADJUSTER – 10 SPLINE	26	SXT-01-1070	WELD ON SUPPORT COLLAR
4	SXT-03-3052	‘O’ RING	27	SXT-01-1261	CIRCLIP – ANCHOR PIN
5	SXT-03-3005	NYLON BUSH – 38mm	28	SXT-01-1260	SPACER WASHER
6	SXT-03-3004	CAMBUSH BRACKET ASSEMBLY	29	SXT-02-2000	BUSH – STAINLESS STEEL
7	SXT-02-2200	DUST COVER SET		SXT-02-2001	BUSH – BRASS
8	SXT-04-4100	CIRCLIP – 41mm	30	SXT-01-1263	‘C’ WASHER
9	SXT-04-4053	SPACER WASHER	31	SXT-01-1250	ANCHOR PIN – STANDARD
10	SXT-02-2155	‘O’ RING – 41mm		SXT-01-1248	ANCHOR PIN – BOLT ON
11	SXT-02-2056	STEEL SLEEVE – CAMBUSH	32	SXT-01-1251	ANCHOR PIN – LONG
12		NO LONGER AVAILABLE		SXT-01-1252	ANCHOR PIN – LONG BOLT ON
13	SXT-02-2055	NYLON BUSH – 41mm	33	STM-359-5990	VENT PLUG – HUB CAP
	SXT-02-2088	CAMBUSH – BRASS 41mm	34	STM-343-4013	HUB CAP – 5 HOLE
14	SXT-02-2100	CAM SEAL – 41mm	35	STM-330-3067	GASKET – 5/6 HOLE
15	SXT-04-4054	SPACER WASHER	36	SXT-06-6005	AXLE NUT – OUTER
16	SXT-04-4004	R.H CAMSHAFT	37	SXT-06-6007	WASHER – AXLE NUT
17	SXT-04-4005	L.H CAMSHAFT	38	SXT-06-6006	AXLE NUT – INNER
18	SXT-01-1060	G.P BRAKE SHOE – UNLINED		SXT-06-6015	LOCK TAB WASHER
	BND-4515HB	BRAKE LINING SET	39	SXT-13-3501	WHEEL NUT – 3/4” UNC
19	SXT-01-1210	ROLLER RETAINER	40	SXT-13-3565	G.P WHEEL CLAMP
	SXT-01-1200	STANDARD CAM ROLLER	41	SXT-13-3500	WHEEL STUD – 3/4” UNC
	SXT-01-1200-K	KNURLED STANDARD ROLLER	42	SXT-06-6307	HUB – 5 SPOKE SPIDER
21	SXT-01-1201	ROLLER – 1/8” OVERSIZE		SXT-01-1001	BRAKE DRUM
22	SXT-01-1202	ROLLER – 1/4” OVERSIZE	43	SXT-06-6068	GREASE SEAL
23	SXT-01-1212	BOLT ON RETAINER KIT			



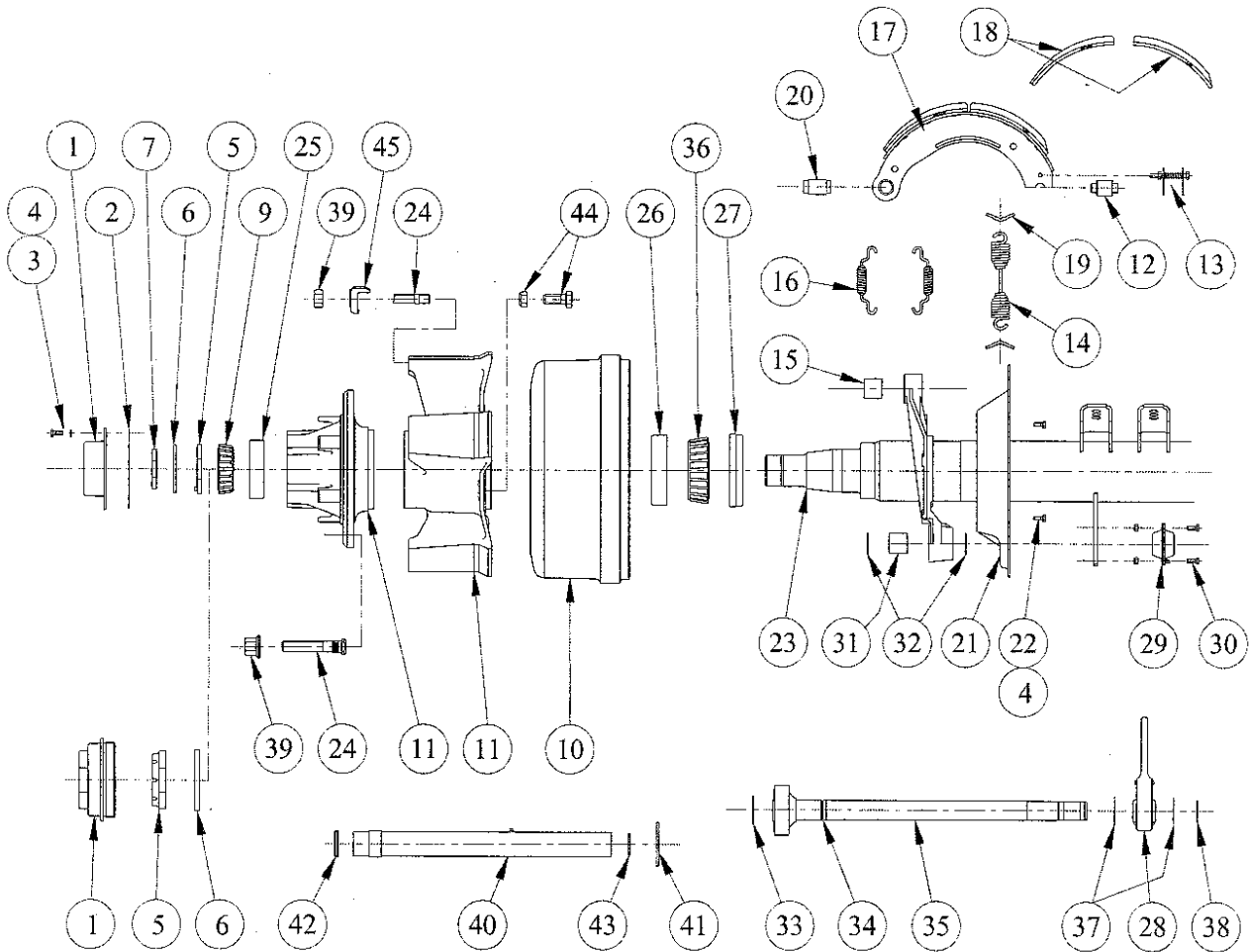
20" EATON JE501-L AXLE



ITEM	PART NUMBER	DESCRIPTION	ITEM	PART NUMBER	DESCRIPTION
1	HDW-BC0312-07	BOLT - 5/16" x 3/4" UNC	40	SXT-05-5055	BOOSTER - TYPE 30
2	HDW-WLS-0312	5/16" WASHER	45	FRT-154-00932	CAMSHAFT - RIGHT HAND
3	STM-343-4009	HUB CAP - 6 HOLE	46	SXT-04-4101	CIRCLIP - 38mm
5	STM-330-3067	GASKET - HUB CAP	47	SXT-04-4051	WASHER - 38mm
6	SXT-06-6005	AXLE NUT - OUTER	49	SXT-05-5155	SLACK ADJUSTER
7	SXT-06-6007	WASHER - AXLE NUT	50	SXT-04-4100	CIRCLIP - 41mm
8	SXT-06-6006	AXLE NUT - INNER	51	SXT-05-5080	CLEVIS PIN
9	BRG-212049	BEARING CONE - OUTER	54	SXT-05-5079	CLEVIS YOKE ASSEMBLY
	BRG-212011	BEARING CUP - OUTER	56	FRT-154-00934	CAMBUSH - INNER
10	SXT-13-3501	WHEEL NUT - 3/4"	58	FRT-154-00869	CAM BRACKET
12	SXT-13-3565	WHEEL CLAMP	59	FRT-154-00906	CAM BRACKET
14	SXT-13-3500	WHEEL STUD - 3/4" UNC	62	FRT-154-00855	SEAL - CAMBUSH
17	SXT-06-6307	HUB - 5 SPOKE SPIDER	67	SXT-04-4054	WASHER - 41mm
18	BRG-218248	BEARING CONE - INNER	72	SXT-02-2100	GREASE SEAL - 41mm
19	BRG-218210	BEARING CUP - INNER	73	FRT-154-00924	CAMBUSH - OUTER
20	SXT-06-6068	GREASE SEAL	76	FRT-161-56043	AXLE BEAM ONLY
23	SXT-01-1001	BRAKE DRUM	77	FRT-154-00931	CAMSHAFT - LEFT HAND
24	HDW-B-0750-21	BOLT - 3/4" x 2 1/4" UNF	78	FRT-154-00928	ROLLER SHAFT
26	HDW-NCC-0750	3/4" CONELOCK NUT	82	FRT-154-00927	ROLLER
31	FRT-154-00926	BRAKE SHOE - UNLINED	83	FRT-154-00929	RETURN SPRING
	BND-4311J	BRAKE LINING SET	90	FRT-154-00930	RETAINER SPRING
36	SXT-02-2200	DUST COVER SET			



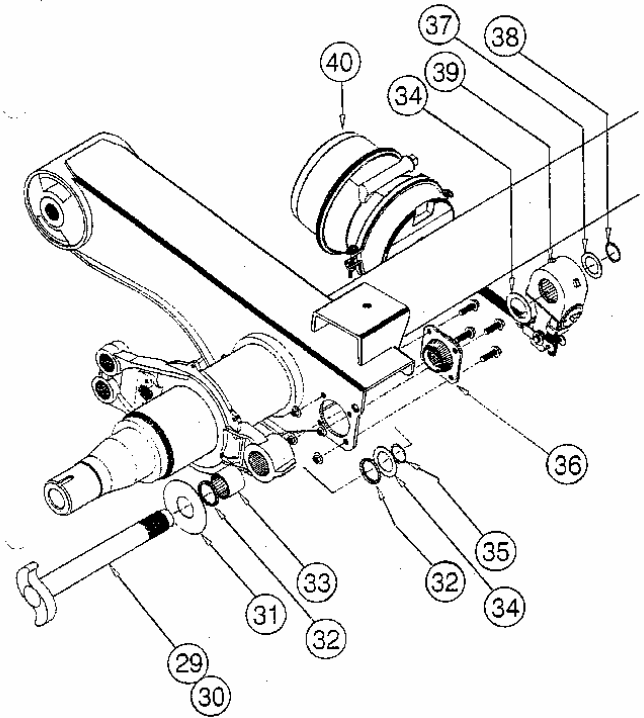
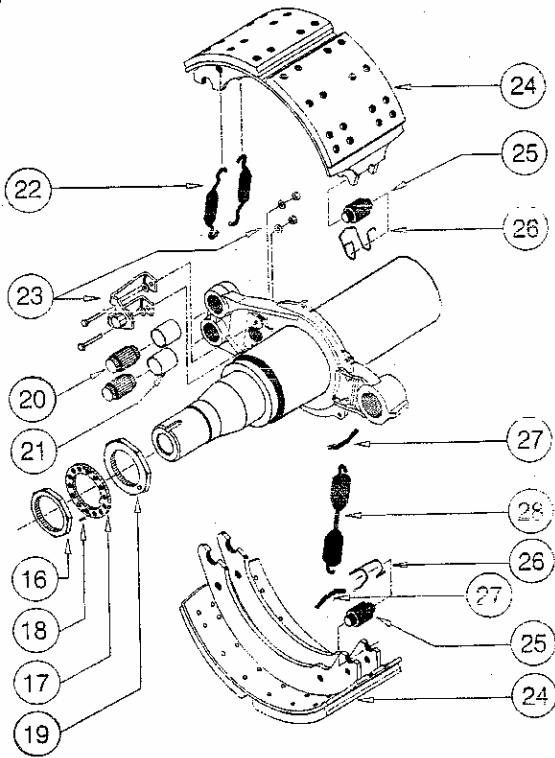
20" T.M.C AXLE



ITEM	PART NUMBER	DESCRIPTION	ITEM	PART NUMBER	DESCRIPTION
1	TMC-810146	HUB CAP – GREASE	21	SXT-02-2200	DUST COVER
	STM-343-4009	HUB CAP – OIL	24	SXT-13-3500	WHEEL STUD – ¾"
2	STM-330-3067	GASKET – HUB CAP		FRT-161-06159	WHEEL STUD – 100mm
3	HDW-BC0312-07	BOLT – 5/16" X ¾"		FRT-161-06160	WHEEL STUD – 125mm
4	HDW-WLS-0312	5/16" SPRING WASHER	25	BRG-212011	BEARING CUP – OUTER
5	SXT-06-6006	AXLE NUT – INNER	26	BRG-218210	BEARING CUP – INNER
6	SXT-06-6007	LOCK WASHER	27	SXT-06-6068	GREASE SEAL (0743)
7	SXT-06-6005	AXLE NUT – OUTER		CRS-46305	OIL SEAL – C.R
9	BRG-212049	BEARING CONE – OUTER	28	SXT-05-5151	SLACK ADJUSTER
10	SXT-01-1001	BRAKE DRUM – SPIDER	29		
	SXT-01-1032	BRAKE DRUM 10 STUD 285P	30		
	FRT-154-01032	BRAKE DRUM 10 STUD 335P	31	SXT-02-2088	CAMBUSH – OUTER
11	SXT-06-6307	HUB – 5 SPOKE SPIDER	32	SXT-02-2100	GREASE SEAL
	FRT-161-06127S	HUB – 10 STUD 285 PCD	33	SXT-04-4051	SPACER WASHER
	FRT-161-05155	HUB – 10 STUD 335 PCD	34	SXT-04-4101	CIRCLIP
12	SXT-01-1200	CAM ROLLER	35	SXT-04-4002	CAMSHAFT – RIGHT HAND
13	SXT-01-1212	BOLT ROLLER RETAINER		SXT-04-4003	CAMSHAFT – LEFT HAND
14	SXT-01-1157	RETURN SPRING	36	BRG-218248	BEARING CONE – INNER
15	SXT-02-2000	BUSH – ANCHOR PIN	37	SXT-01-1260	SPACER WASHER
16	SXT-01-1156	RETAINER SPRING	38	SXT-01-1261	CIRCLIP
17		BRAKE SHOE – Q BRAKE	39	SXT-13-3501	WHEEL NUT – ¾"
	SXT-01-1061	BRAKE SHOE – P BRAKE		FRT-161-06112	WHEEL NUT – I.S.O
18	BND-E-4515H	BRAKE LINING SET	40	TMC-810206	ENCLOSED CAMTUBE
19	SXT-01-1160	RETAINER PIN	41	TMC-810201	BRACKET – CAMTUBE
20	SXT-01-1249	ANCHOR PIN – Q SERIES	42	SXT-02-2100	GREASE SEAL - OUTER
	SXT-01-1248	ANCHOR PIN – SHORT	43	TMC-810207	GREASE SEAL – INNER
	SXT-01-1252	ANCHOR PIN – LONG			



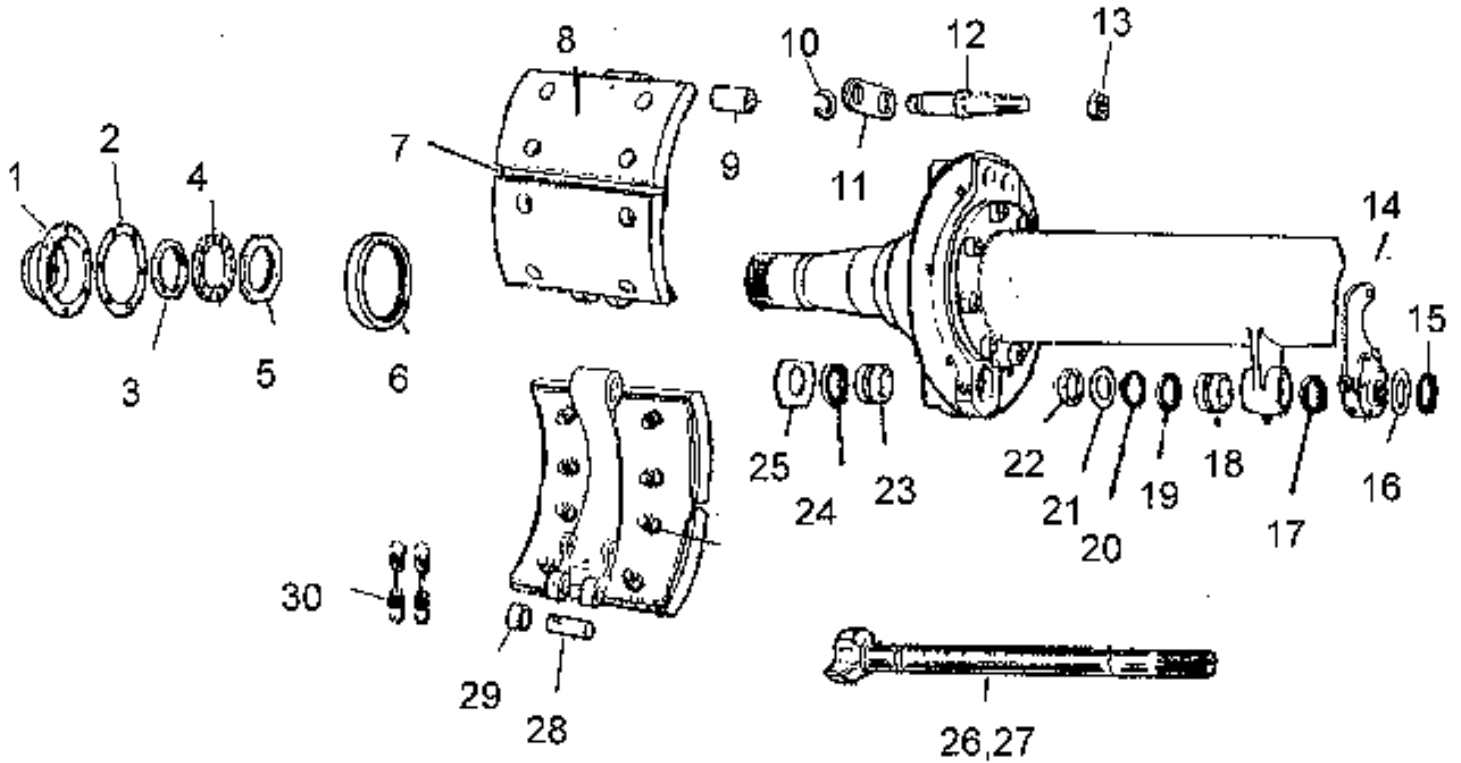
22H I.M.T INTRAAX AXLE



ITEM	PART NUMBER	DESCRIPTION	ITEM	PART NUMBER	DESCRIPTION
16	SXT-06-6005	AXLE NUT – OUTER	32	SXT-02-2101	GREASE SEAL
17	SXT-06-6007	WASHER – AXLE NUT	33	SXT-02-2086	CAMBUSH-OLD
18	HND-SA-2800-6	SET SCREW		HND-S-22898	CAMBUSH-OLD GENUINE
19	SXT-06-6006	AXLE NUT – INNER		SXT-02-2065	CAMBUSH-NEW
20	SXT-01-1249	ANCHOR PIN – ‘Q’ SERIES		HND-S-20823	CAMBUSH-NEW GENUINE
21	SXT-02-2000	BUSH – ANCHOR PIN	34	SXT-04-4051	SPACER WASHER
22	SXT-01-1156	RETAINER SPRING	35	SXT-04-4101	CIRCLIP
23	HND-S-21064	ABS BRACKET	36	SXT-03-3004	CAMBUSH ASSEMBLY
24	SXT-01-1062	BRAKE SHOE – UNLINED	37	SXT-01-1260	SPACER WASHER
	BND-E-4515H	BRAKE LINING SET	38	SXT-01-1261	CIRCLIP
25	SXT-01-1200	ROLLER – STANDARD	39	SXT-05-5161	SLACK ADJUSTER
26	SXT-01-1210	RETAINER – WIRE		PBR-AS1020	SLACK ADJUSTER-AUTO
27	SXT-01-1160	RETAINER PIN	40	SXT-05-5101	SPRING BRAKE – 30/30
28	SXT-01-1157	RETURN SPRING			
29	HND-C20806-1L	CAMSHAFT-LEFT HAND		HND-98933-011	ENCLOSED CAMTUBE – NYLON
30	HND-C20806-1R	CAMSHAFT-RIGHT HAND		HND-98933-013	ENCLOSED CAMTUBE SET - STEEL
31	HND-A-20861	SPACER WASHER			



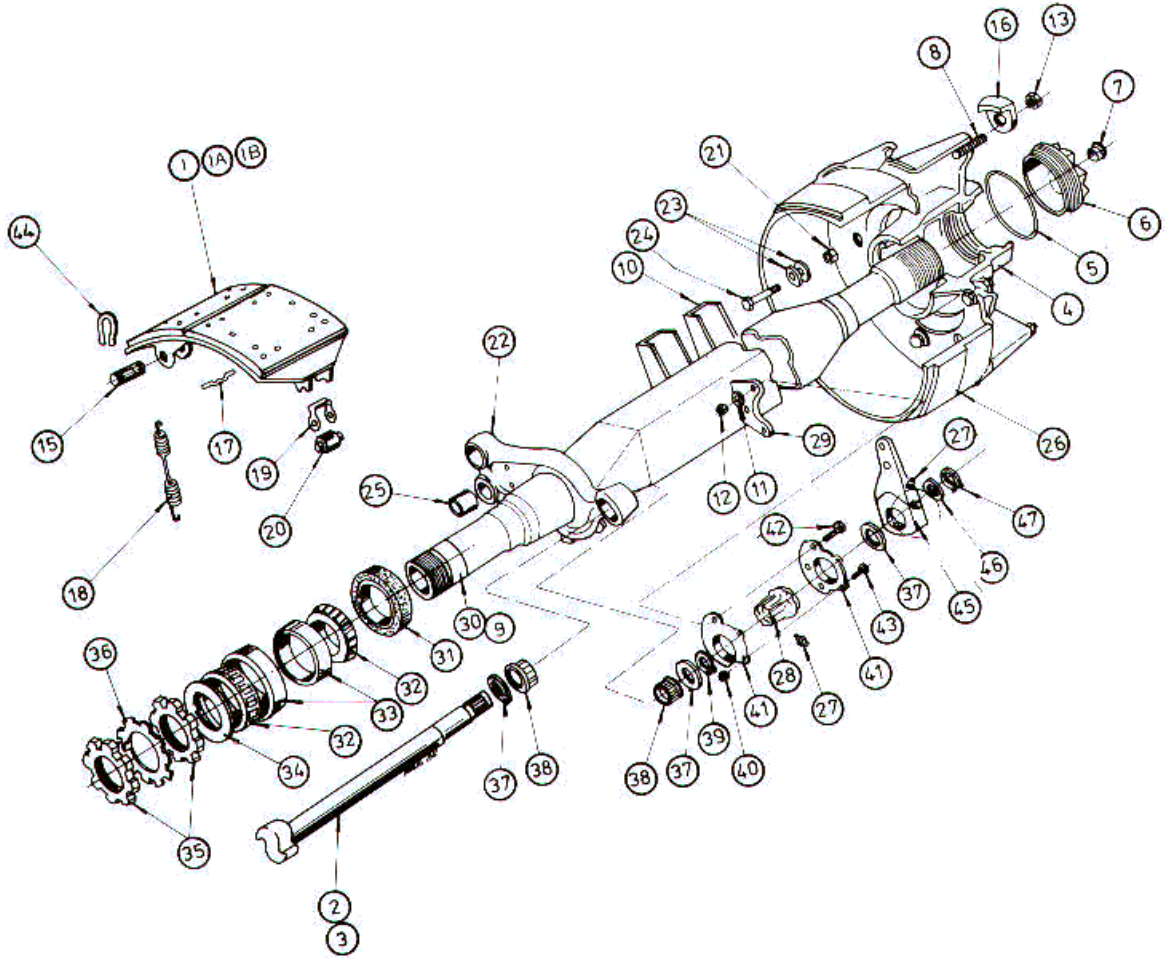
15" DANA (SPICER)



ITEM	PART NUMBER	DESCRIPTION	ITEM	PART NUMBER	DESCRIPTION
1	STM-343-4009	HUB CAP - 6 HOLE	16	SXT-04-4051	SPACER WASHER
2	STM-330-3067	GASKET - HUB CAP	17	SXT-02-2101	GREASE SEAL
3	SXT-06-6005	AXLE NUT - OUTER	18	SXT-03-3004	CAMBUSH - NYLON
4	SXT-06-6007	WASHER - AXLE NUT	19	SXT-02-2101	GREASE SEAL
5	SXT-06-6006	AXLE NUT - INNER	20	SXT-04-4101	CIRCLIP
6	SXT-06-6071	GREASE SEAL	21	SXT-04-4051	SPACER WASHER
7		CAST BRAKE SHOE	22	SXT-02-2101	GREASE SEAL
8	BND-E-4607	BRAKE LINING SET	23	SXT-03-3004	CAMBUSH - NYLON
9	SXT-02-2005	BUSH - ANCHOR PIN	24	SXT-02-2101	GREASE SEAL
10	SXT-01-1259	'C' WASHER	25	SXT-04-4050	'D' WASHER
11	SXT-01-1276	LINK PLATE	26	SXT-04-4030	CAMSHAFT - R.H
12	SXT-01-1247	ANCHOR PIN-BOLT ON	27	SXT-04-4031	CAMSHAFT - L.H
13	HDW-NF-0625	NUT - 5/8" UNF	28	SXT-01-1207	ROLLER SHAFT
14	SXT-05-5154	SLACK ADJUSTER	29	SXT-01-1206	ROLLER
15	SXT-04-4101	CIRCLIP	30	SXT-01-1158	RETURN SPRING
OPTIONS					
17	SXT-03-3052	'O' RING			
18	TCM-2103	CAMBUSH - INNER			
19	SXT-03-3052	'O' RING			



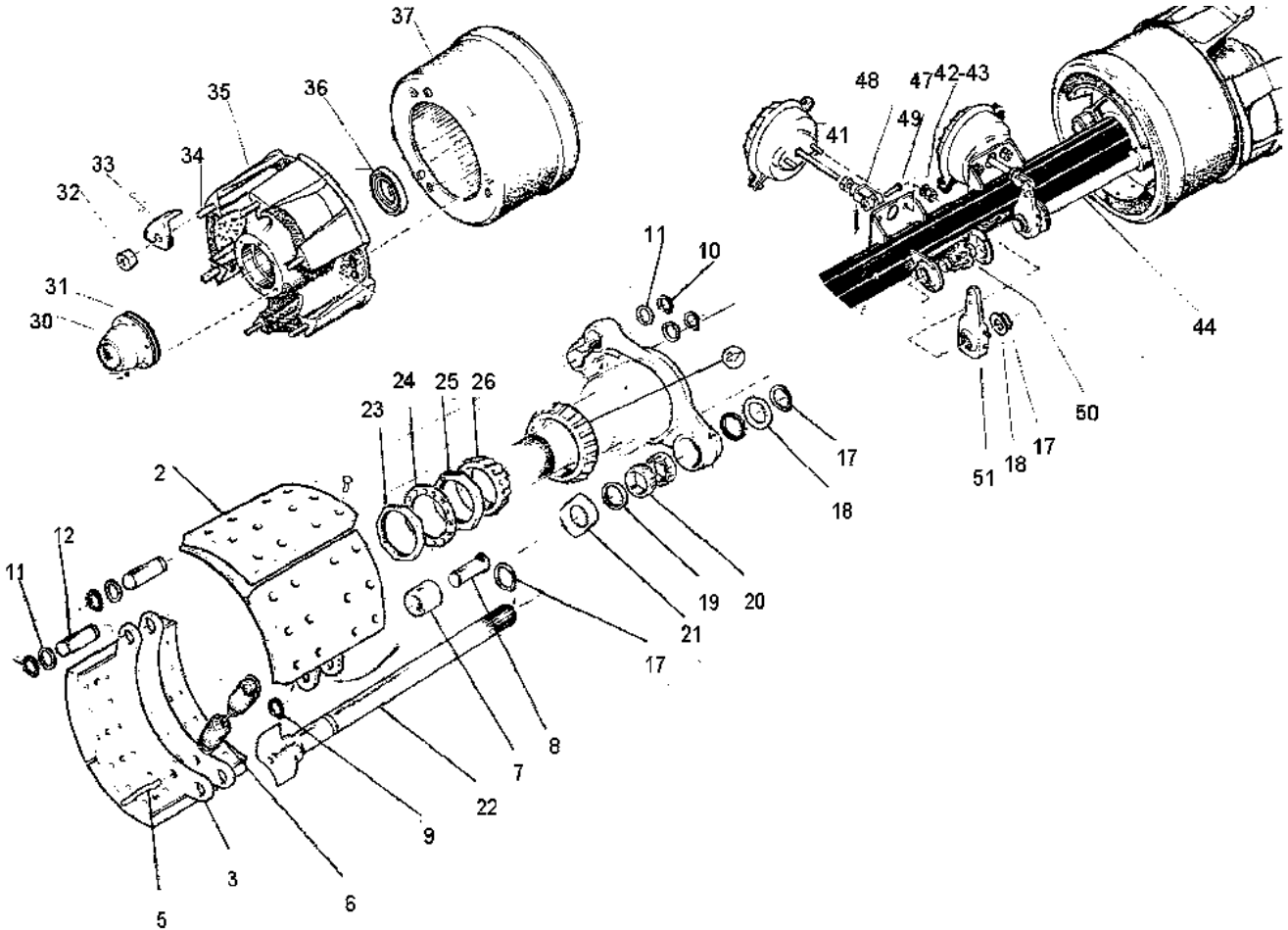
15" FRUEHAUF (PROPAR)



ITEM	PART NUMBER	DESCRIPTION	ITEM	PART NUMBER	DESCRIPTION
1	FHF-ALA19630	LINED BRAKE SHOE	25	SXT-02-2000	BUSH – ANCHOR PIN
1A	FHF-ACD2227-1	UNLINED BRAKE SHOE	26	SXT-02-2001	BUSH – ANCHOR PIN
1B	BND-E-4649	BRAKE LINING SET	28	SXT-03-3001	CAMBUSH – INNER
2	FHF-ACD2193-5	CAMSHAFT – R.H	29	FHF-ALA-9656	CAMBUSH BRACKET
3	FHF-ACD2193-6	CAMSHAFT – L.H	31	SXT-06-6070	BARRIER SEAL
4	FHF-ALA11847	HUB ASSEMBLY	32	BRG-518445	BEARING CONE
5	SXT-06-6202	'O' RING – HUB CAP	33	BRG-518410	BEARING CUP
6	SXT-06-6200	HUB CAP COMPLETE	34	SXT-06-6004	WASHER
7	FHF-AXA-1005	PLUG – HUB CAP	35	FHF-ACE-1823	AXLE NUT
8	SXT-13-3500	WHEEL STUD – 3/4"	36	FHF-ALA-18701	LOCK TAB WASHER
10	FHF-ACE-6116	BOOSTER BRACKET	37	SXT-04-4054	SPACER WASHER
13	SXT-13-3501	WHEEL NUT – 3/4"	38	SXT-02-2052	CAMBUSH – OUTER
15	SXT-01-1250	ANCHOR PIN	39	SXT-04-4100	CIRCLIP
	SXT-01-1248	ANCHOR PIN-BOLT ON	41	SXT-03-3100	BRACKET – CAMBUSH
16	FHF-ALA-11849	WHEEL CLAMP	44	SXT-01-1263	'C' WASHER
17	SXT-01-1160	RETAINER PIN	45	SXT-05-5151	SLACK ADJUSTER
18	FHF-ACD2287-1	RETURN SPRING	46	SXT-04-4051	SPACER WASHER
19	SXT-01-1210	RETAINER – ROLLER	47	SXT-04-4101	CIRCLIP
20	FHF-ACD2232-1	CAM ROLLER			



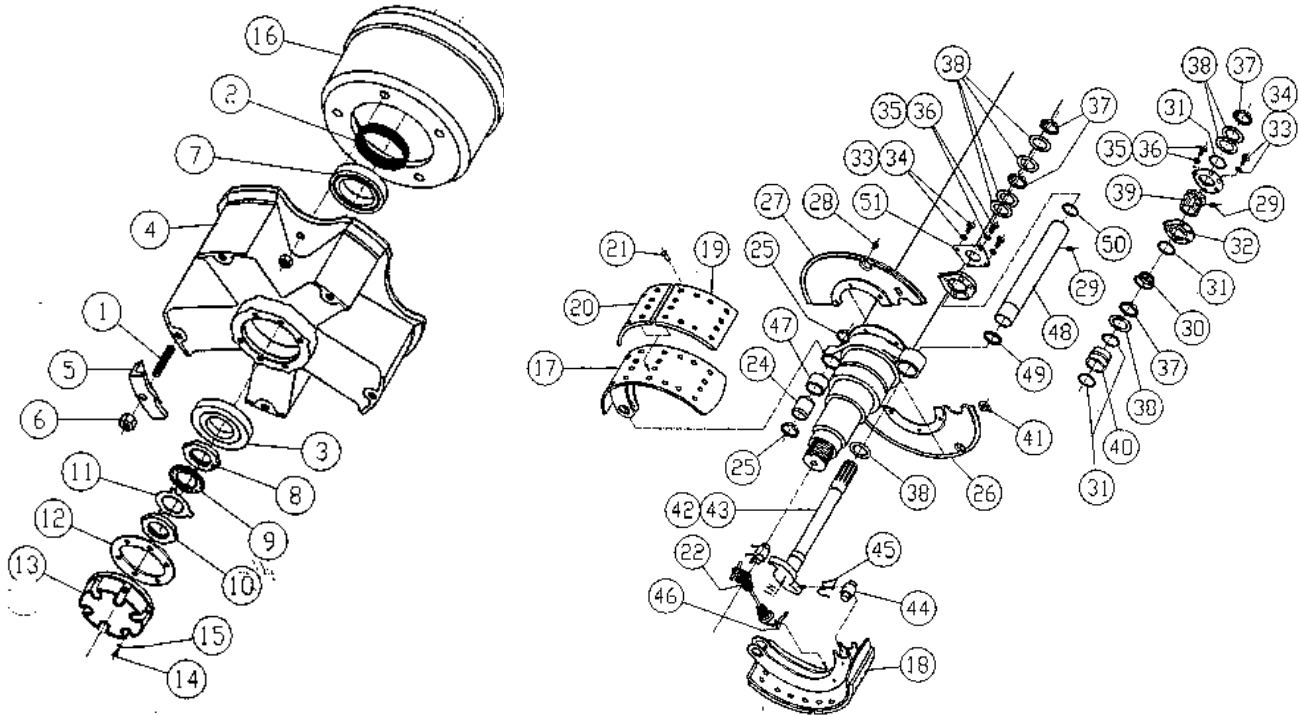
15" INGERSOLL AXLE



ITEM	PART NUMBER	DESCRIPTION	ITEM	PART NUMBER	DESCRIPTION
2	BND-E-4591	BRAKE LINING SET	26	BRG-212049	BEARING CONE - OUTER
3	FRT-154-30106	BRAKE SHOE - UNLINED	27	BRG-663	BEARING CUP - INNER
5	SXT-01-1160	RETAINER PIN	30	STM-343-4009	HUB CAP - 6 HOLE
6	FRT-154-30108	RETURN SPRING	31	STM-330-3067	GASKET
7	FRT-154-30109	CAM ROLLER	32	SXT-13-3501	WHEEL NUT - 3/4"
8	FRT-154-30110	SHAFT - ROLLER	33	SXT-13-3565	WHEEL CLAMP
9	FRT-152-06203	CIRCLIP - ROLLER	34	SXT-13-3500	WHEEL STUD - 3/4"
10	FRT-152-06206	CIRCLIP - ANCHOR PIN	35	FRT-161-06025	HUB ASSEMBLY
11	FRT-154-30111	SPACER WASHER	36	SXT-06-6071	GREASE SEAL
12	FRT-154-30112	ANCHOR PIN	37	SXT-01-1015	BRAKE DRUM - 121/4"
17	SXT-04-4101	CIRCLIP	41	SXT-05-5055	BOOSTER - TYPE 30
18	SXT-04-4051	SPACER WASHER	42		WASHER
19	SXT-02-2101	GREASE SEAL	43		NUT
20	FRT-154-00984	CAMBUSH	44	SXT-04-4030	CAMSHAFT - R.H
	SXT-02-2086	CAMBUSH - BRASS	47	SXT-05-5080	CLEVIS PIN - 1/2"
21	SXT-04-4050	'D' WASHER	48	SXT-05-5079	YOKE ASSEMBLY
22	SXT-04-4031	CAMSHAFT - L.H	49	HDW-SP0125-20	SPLIT PIN
23	SXT-06-6005	AXLE NUT - OUTER	50	SXT-03-3000	CAMBUSH - INNER
24	SXT-06-6007	WASHER - AXLE NUT	51	SXT-05-5156	SLACK ADJUSTER
25	SXT-06-6006	AXLE NUT - OUTER			



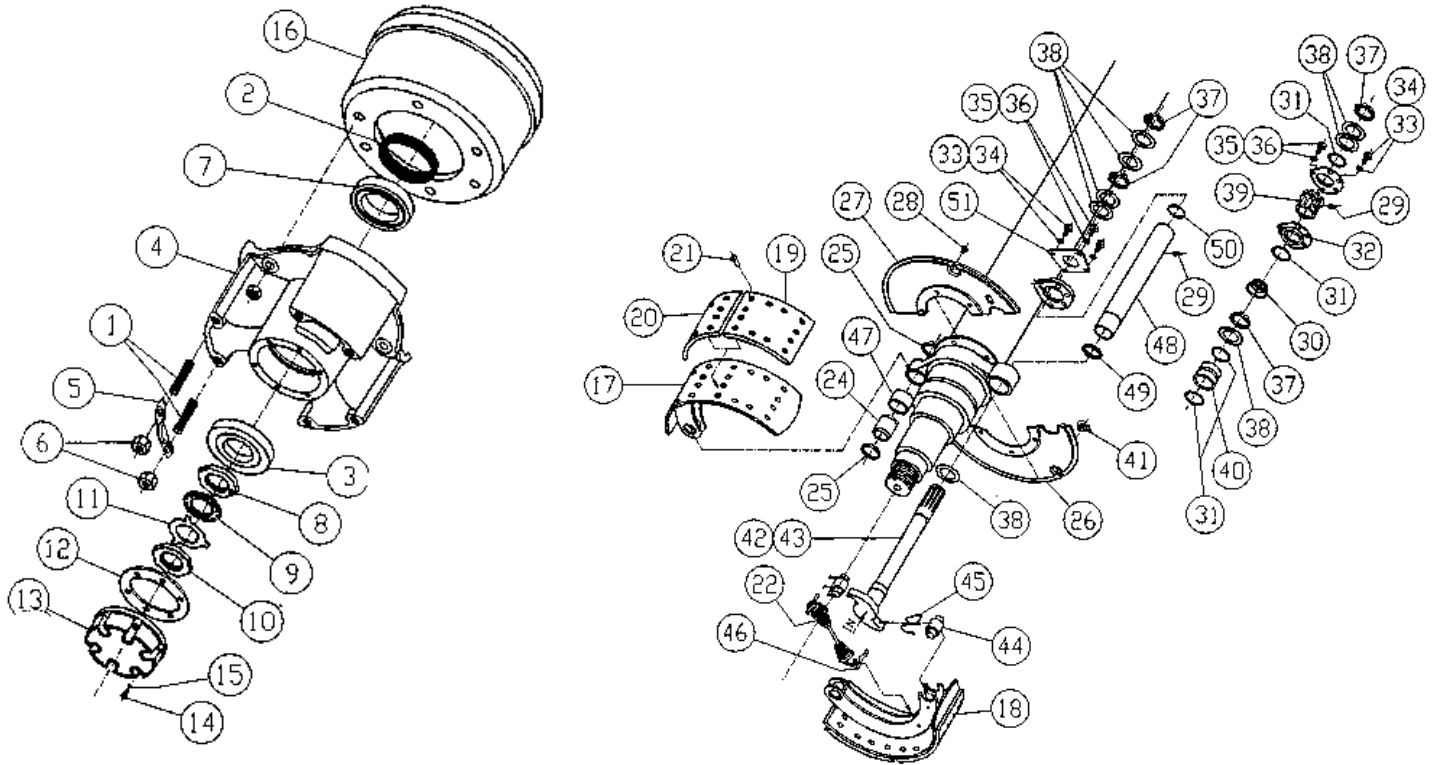
20" YORK AXLE – TYPE 2782



ITEM	PART NUMBER	DESCRIPTION	ITEM	PART NUMBER	DESCRIPTION
1	SXT-13-3500	WHEEL STUD – 3/4" UNC	25	SXT-01-1261	CIRCLIP – ANCHOR PIN
2	SXT-06-6068	GREASE SEAL	26	YRK-786336	DUST COVER – R.H
3	BRG-212049	BEARING CONE – OUTER	27	YRK-786335	DUST COVER – L.H
	BRG-212011	BEARING CUP – OUTER	30	YRK-500686	DUST SEAL
4	SXT-06-6307	HUB – 5 SPOKE SPIDER	31	YRK-500375	'O' RING
5	SXT-13-3565	WHEEL CLAMP	32	SXT-03-3101	BRACKET – CAMBUSH
6	SXT-13-3501	WHEEL NUT – 3/4"	37	SXT-04-4101	CIRCLIP – 38mm
7	BRG-218248	BEARING CONE – INNER	38	SXT-04-4051	SPACER WASHER
	BRG-218210	BEARING CUP – INNER	39	SXT-03-3000	CAMBUSH – INNER
8	YRK-502461	AXLE NUT – INNER	40	SXT-03-3003	CAMBUSH – OUTER NYLON
9	YRK-501123	WASHER – AXLE NUT		SXT-02-2086	CAMBUSH-OUTER BRASS
10	YRK-502462	AXLE NUT – OUTER	42	SXT-04-4000	R.H CAMSHAFT – 525mm
11	YRK-790044	LOCK TAB WASHER		SXT-04-4001	L.H CAMSHAFT – 525mm
13	STM-343-4009	HUB CAP – STEMCO	43	FRT-154-30125	R.H CAMSHAFT – 627mm
14	HDW-BC0312-07	BOLT – 5/16" x 3/4" LONG		FRT-154-30124	L.H CAMSHAFT – 627mm
15	HDW-WLS-0312	5/16" SPEED WASHER	44	SXT-01-1200	CAMROLLER – STANDARD
16	SXT-01-1001	BRAKE DRUM – G.P	45	SXT-01-1210	WIRE RETAINER – ROLLER
17	SXT-01-1060	'P' BRAKE SHOE-UNLINED		SXT-01-1212	BOLT ON RETAINER KIT
	SXT-01-1062	'Q' BRAKE SHOE-UNLINED	46	SXT-01-1160	RETAINER PIN
18	SXT-01-1050	'P' BRAKE SHOE-LINED	47	SXT-02-2000	BUSH – ANCHOR PIN
	SXT-01-1052	'Q' BRAKE SHOE-LINED	48	YRK-788529-01	CAMTUBE – 525mm
20	BND-E-4515H	BRAKE LINING SET		YRK-788529-17	CAMTUBE – 627mm
21	BND-R147	ALUMINIUM RIVETS	49	SXT-02-2101	GREASE SEAL
22	SXT-01-1150	RETURN SPRING – 'P'	50	YRK-787720	'O' RING
	SXT-01-1157	RETURN SPRING – 'Q'	51	YRK-787590	BRACKET - CAMTUBE
24	SXT-01-1250	ANCHOR PIN – STD.			
	SXT-01-1248	ANCHOR PIN – BOLT ON			
	SXT-01-1249	ANCHOR PIN – 'Q' SERIES			



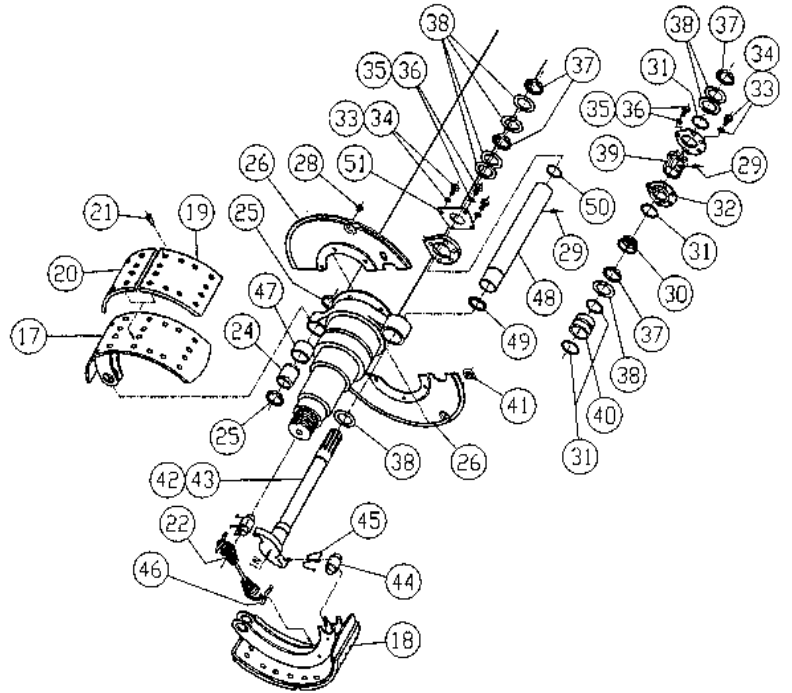
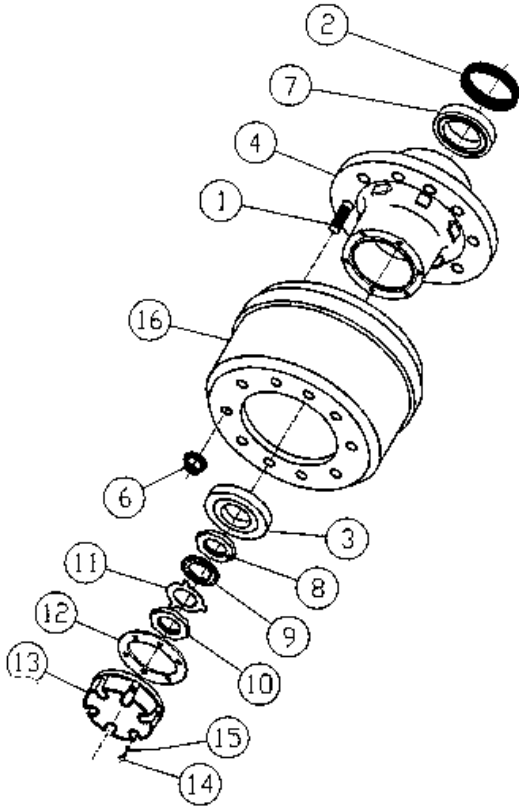
15" YORK AXLE – TYPE 2783



ITEM	PART NUMBER	DESCRIPTION	ITEM	PART NUMBER	DESCRIPTION
1	SXT-13-3500	WHEEL STUD – ¾"	26	YRK-501576	DUST COVER – R.H
2	SXT-06-6068	GREASE SEAL	27	YRK-501577	DUST COVER – L.H
3	BRG-212049	BEARING CONE – OUTER	30	YRK-500686	DUST SEAL
	BRG-212011	BEARING CUP – OUTER	31	YRK-500375	'O' RING
4	YRK-7927140	HUB – 3 SPOKE	32	SXT-03-3101	BRACKET – CAMBUSH
5	YRK-793314	WHEEL CLAMP-DOUBLE	37	SXT-04-4101	CIRCLIP – 38mm
6	SXT-13-3501	WHEEL NUT – ¾"	38	SXT-04-4051	SPACER WASHER
7	BRG-218248	BEARING CONE – INNER	39	SXT-03-3000	CAMBUSH – INNER
	BRG-218210	BEARING CUP – INNER	40	SXT-03-3003	CAMBUSH – OUTER
8	YRK-502461	AXLE NUT – INNER		SXT-02-2086	CAMBUSH – BRASS
9	YRK-501123	WASHER – AXLE NUT	41	YRK-500848	DUST PLUG COVER
10	YRK-502462	AXLE NUT – OUTER	42	YRK-504742/01R	R.H CAMSHAFT – 525mm
11	YRK-790044	LOCK TAB WASHER		YRK-504742/01L	L.H CAMSHAFT – 525mm
12	STM-330-3067	GASKET – HUB CAP	43	YRK-504742/19R	R.H CAMSHAFT – 616mm
13	STM-343-4009	HUB CAP – STEMCO		YRK-504742/19L	L.H CAMSHAFT – 616mm
14	HDW-BC0312-07	BOLT – 5/16" x ¾"	44	YRK-500356	CAMROLLER
15	HDW-WLS0312	5/16" WASHER	45	SXT-01-1210	WIRE ROLLER RETAINER
16	SXT-01-1015	BRAKE DRUM – SPIDER	46	SXT-01-1160	RETAINER PIN
17	YRK-502904-02	BRAKE SHOE-UNLINED	47	SXT-02-2000	BUSH – ANCHOR PIN
18	YRK-502246-02	BRAKE SHOE-LINED	48	YRK-788528/01	CAM TUBE – 525mm
19	YRK-501570-02	LINING-CAM END 178mm		YRK-788528/17	CAM TUBE – 627mm
20	YRK-501572-02	LINING-ANCHOR END	49	SXT-02-2101	GREASE SEAL
	BND-P-YKB341	LINING SET - BENDIX	50	YRK-787720	'O' RING
21	YRK-502245	RIVET	51	YRK-787590	BRACKET – CAM TUBE
22	YRK-501551	RETURN SPRING		SXT-05-5154	SLACK ADJUSTER
24	YRK-501995	ANCHOR PIN			
25	YRK-758525	CIRCLIP – ANCHOR PIN			



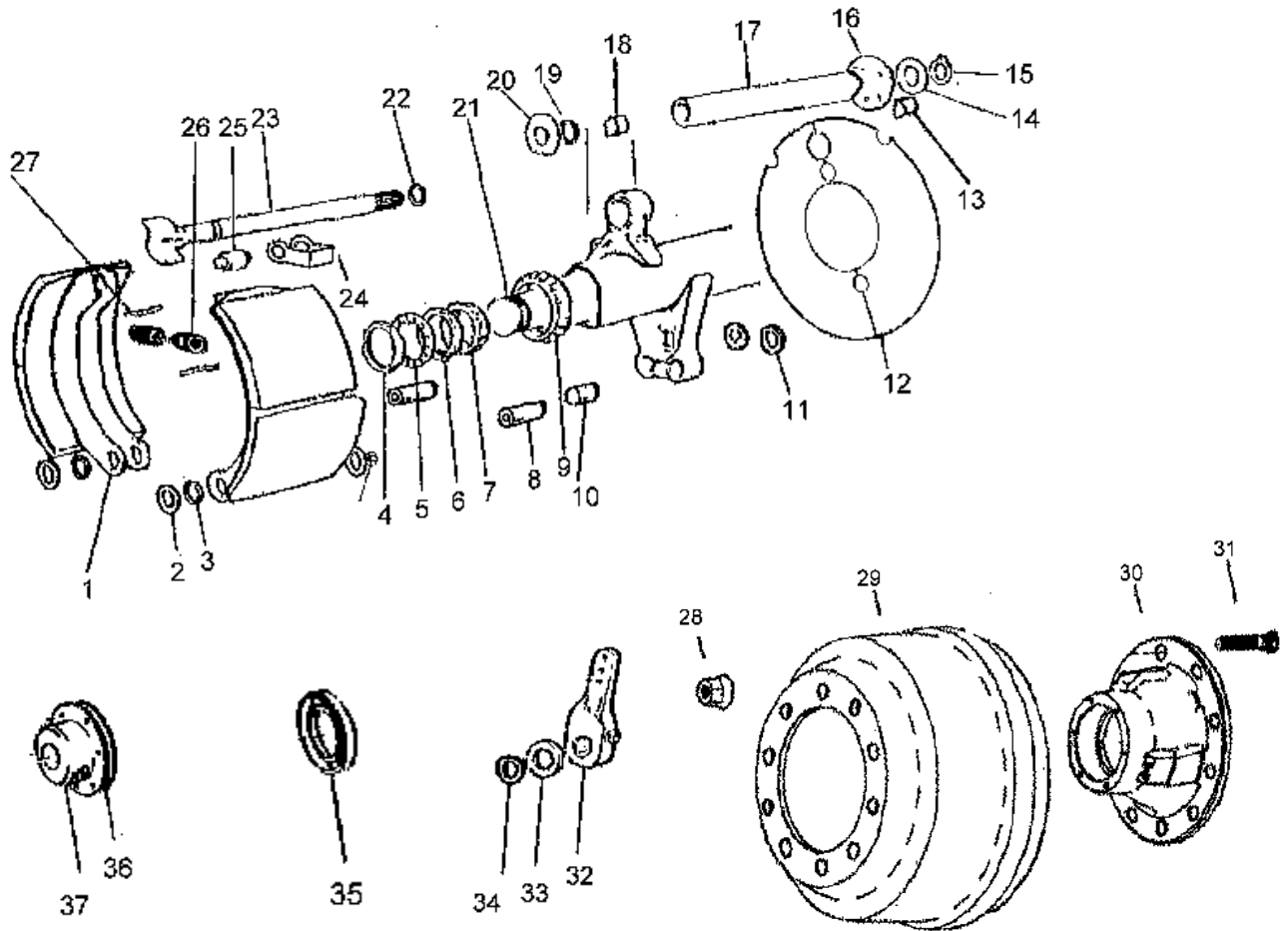
19.5" YORK AXLE – TYPE 2950



ITEM	PART NUMBER	DESCRIPTION	ITEM	PART NUMBER	DESCRIPTION
1	YRK-786111	ISO WHEEL STUD – 100mm	24	SXT-01-1250	ANCHOR PIN – STANDARD
	YRK-786511	ISO WHEEL STUD – 124mm		SXT-01-1248	ANCHOR PIN – BOLT ON
2	SXT-06-6068	GREASE SEAL	25	SXT-01-1263	'C' WASHER
3	BRG-212049	BEARING CONE – OUTER	26	YRK-506414	DUST COVER
	BRG-212011	BEARING CUP – OUTER	30	YRK-500686	DUST SEAL
4	YRK-27140	HUB – 3 SPOKE SPIDER	31	YRK-500375	'O' RING
	YRK-787575	HUB – 10 STUD (225 PCD)	32	SXT-03-3101	BRACKET – CAMBUSH
	YRK-787674	HUB – 8 STUD (225PCD)	37	SXT-04-4101	CIRCLIP – 38mm
6	YRK-502917	ISO WHEEL NUT	38	SXT-04-4051	SPACER WASHER
7	BRG-218248	BEARING CONE – INNER	39	SXT-03-3000	CAMBUSH – INNER
	BRG-218210	BEARING CUP – INNER	40	SXT-03-3003	CAMBUSH – OUTER (NYLON)
8	YRK-502461	AXLE NUT – INNER		SXT-02-2086	CAMBUSH – OUTER (BRASS)
9	YRK-501123	WASHER – AXLE NUT	41	YRK-500848	PLUG – DUST COVER
10	YRK-502462	AXLE NUT – OUTER	42	YRK-790238/01R	R.H CAMSHAFT – 525mm
11	YRK-790044	LOCK TAB WASHER		YRK-790238/01L	L.H CAMSHAFT – 525mm
12	STM-330-3067	GASKET – HUB CAP	43	YRK-790238/19R	R.H CAMSHAFT – 616mm
13	STM-343-4009	HUB CAP – 6 HOLE STEMCO		YRK-790238/19L	L.H CAMSHAFT - 616mm
14	HDW-BC0312-07	BOLT – 5/16" X 3/4" UNC	44	SXT-01-1200	CAM ROLLER
15	HDW-WLS-0312	5/16" WASHER	45	SXT-01-1210	RETAINER – WIRE
16	YRK-786856	BRAKE DRUM – SPIDER		SXT-01-1212	RETAINER KIT – BOLT ON
	YRK-506412	BRAKE DRUM – 10 STUD (225pcd)	46	SXT-01-1160	RETAINER PIN
	YRK-787675	BRAKE DRUM – 8 STUD (225pcd)	47	SXT-02-2000	BUSH – ANCHOR PIN
17	YRK-788845	BRAKE SHOE – UNLINED	48	YRK-788529/01	ENCLOSED CAMTUBE – STD.
18	SXT-GINE0B	BONDED BRAKE SHOE SET		YRK-788529/19	ENCLOSED CAMTUBE – LONG
19	YRK-506464/02	LINING SEGMENT – CAM	49	SXT-02-2101	GREASE SEAL
20	YRK-506464/02	LINING SEGMENT – ANCHOR	50	YRK-787720	'O' RING – INNER
	BND-P-YKB122	LINING SET - BENDIX	51	YRK-787590	MOUNT PLATE - CAMTUBE
21	YRK-502245	STEEL RIVET			
22	YRK-506498	RETURN SPRING			



F19H INGERSOLL AXLE



ITEM	PART NUMBER	DESCRIPTION	ITEM	PART NUMBER	DESCRIPTION
1	SXT-RFN50B	BRAKE SHOES – EXCHANGE	21	FRT-161-56045	AXLE BEAM ONLY
2	SXT-01-1260	SPACER WASHER	22	SXT-04-4101	CIRCLIP – 38mm
3	SXT-01-1261	CIRCLIP	23	SXT-04-4040	R.H CAMSHAFT – 28 SPLINE
4	SXT-06-6005	AXLE NUT – OUTER		SXT-04-4041	L.H CAMSHAFT – 28 SPLINE
5	SXT-06-6007	WASHER – AXLE NUT		SXT-04-4042	R.H CAMSHAFT – 10 SPLINE
6	SXT-06-6006	AXLE NUT – INNER		SXT-04-4043	L.H CAMSHAFT – 10 SPLINE
7	BRG-212049	BEARING CONE – OUTER	24	SXT-01-1210	ROLLER RETAINER – WIRE
	BRG-212011	BEARING CUP – OUTER	25	SXT-01-1200	ROLLER – STANDARD
8	SXT-01-1249	ANCHOR PIN – Q SERIES	26	SXT-01-1156	RETAINER SPRING
9	BRG-218248	BEARING CONE – INNER		SXT-01-1157	RETURN SPRING
	BRG-218210	BEARING CUP – INNER	27	SXT-01-1160	RETAINER PIN
10	SXT-02-2000	BUSH – ANCHOR PIN	28	FRT-161-06112	WHEEL NUT – ISO
11	SXT-01-1260	SPACER WASHER	29	SXT-01-1035	BRAKE DRUM – 8 STUD
12	FRT-154-01047	DUST COVER SET	30	SXT-06-6315	HUB ASSEMBLY – 8 STUD
13	FRT-161-06115	BUSH – CAMTUBE	31	FRT-161-06159	ISO WHEEL STUD – 100mm
14	SXT-04-4051	SPACER WASHER		FRT-161-06160	ISO WHEEL STUD – 120mm
15	SXT-04-4101	CIRCLIP – 38mm	32	SXT-05-5155	SLACK ADJUSTER – 10 SPLINE
16	FRT-161-06105	MOUNT BRACKET-CAMTUBE		SXT-05-5153	SLACK ADJUSTER – 28 SPLINE
17	FRT-161-06106	CAMTUBE – STANDARD	33	SXT-01-1260	SPACER WASHER
	FRT-154-30126	CAMTUBE – LONG	34	SXT-01-1261	CIRCLIP
18	FRT-161-06115	BUSH – CAMTUBE	35	SXT-06-6068	GREASE SEAL
19	SXT-02-2101	GREASE SEAL – CAMTUBE	36	STM-330-3067	GASKET – HUB CAP
20	SXT-04-4050	'D' WASHER	37	STM-343-4009	HUB CAP – 6 HOLE STEMCO