

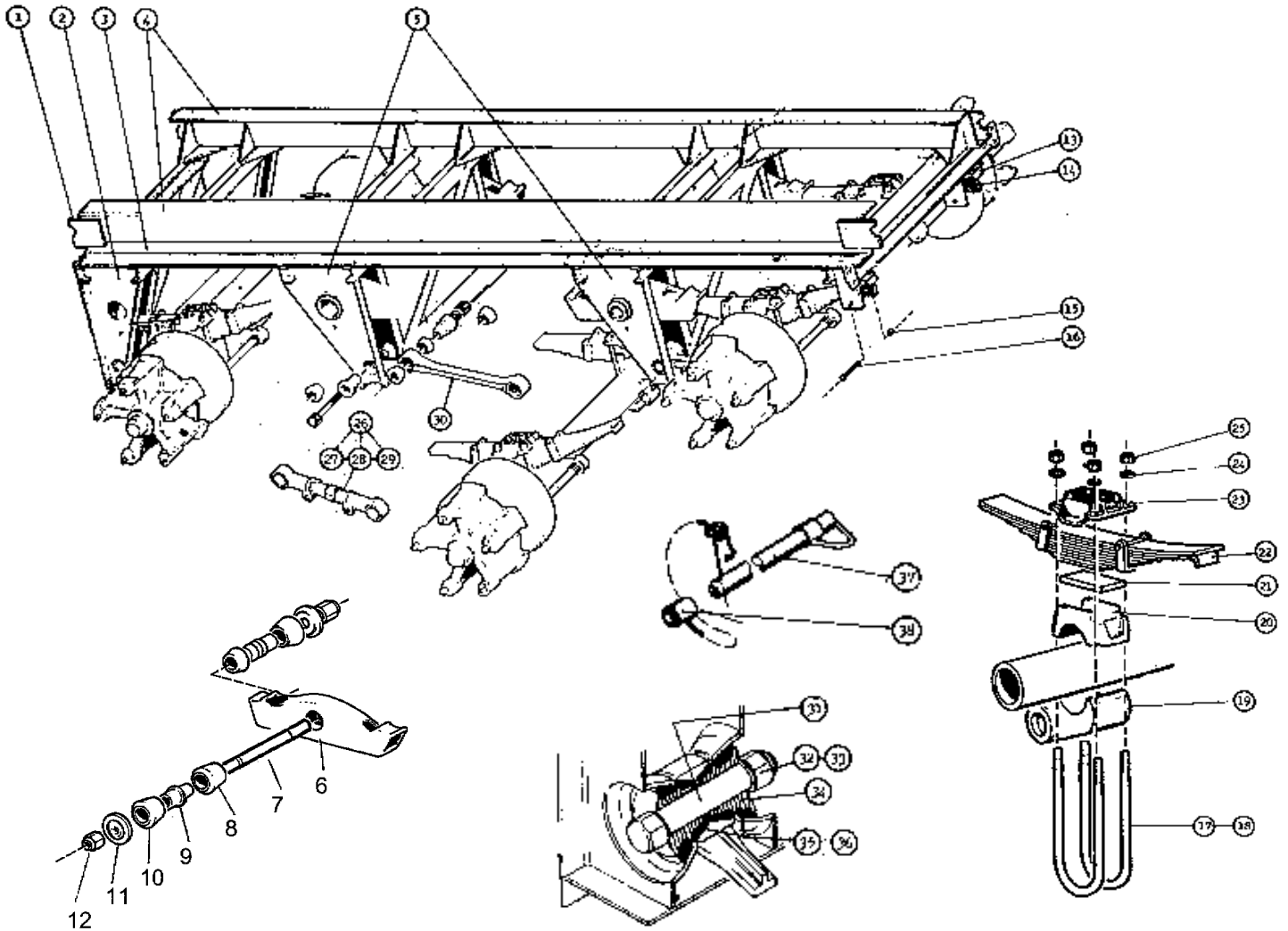


SPRING SUSPENSION

SECTION 5



FREIGHTER TAA35 SUSPENSION

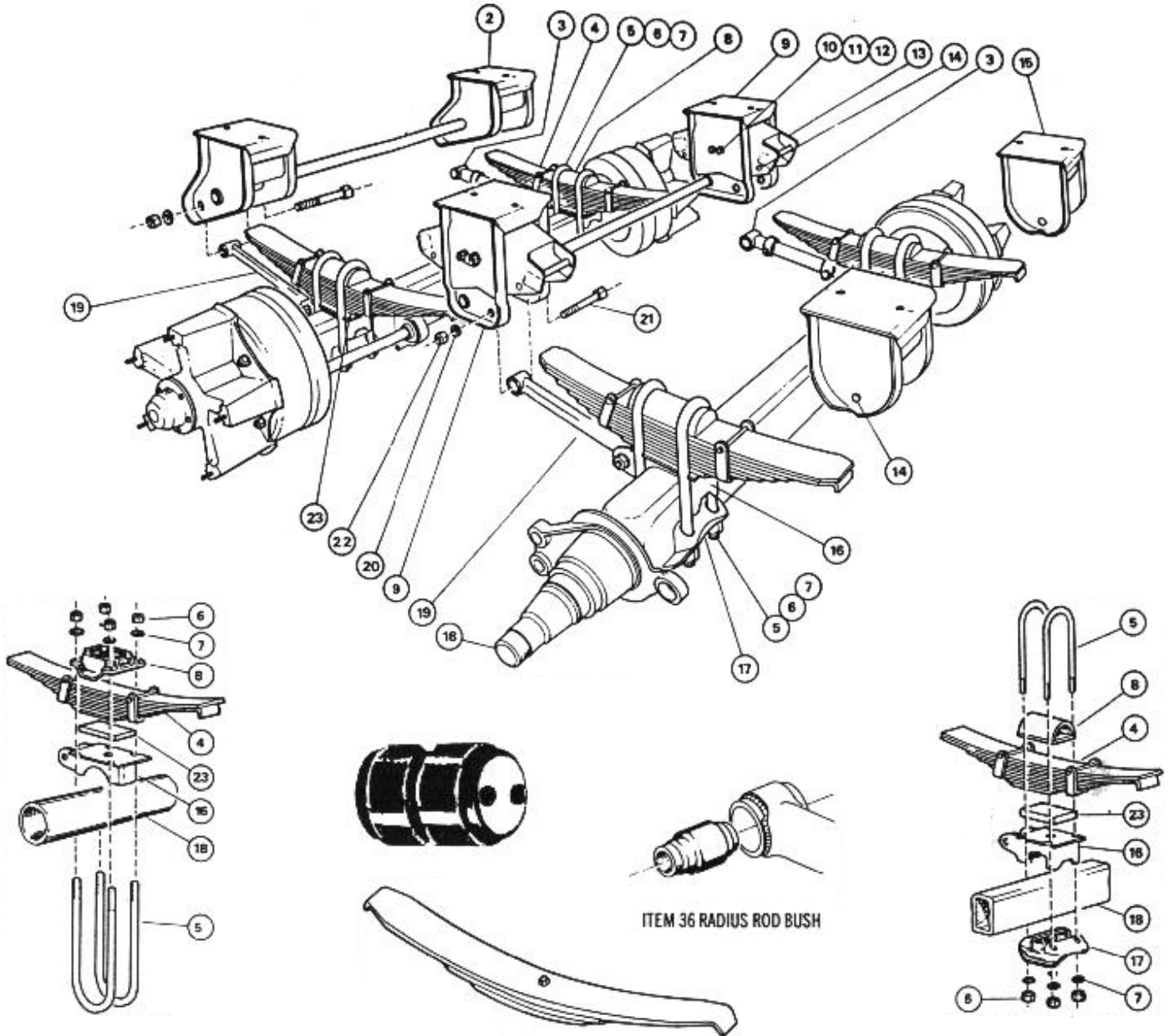


ITEM	PART NUMBER	DESCRIPTION	ITEM	PART NUMBER	DESCRIPTION
1	FRT-203-02127	STOP BLOCK	21	FRT-203-01109	PACKER
2	FRT-203-02125	FRONT HANGER ASSEMBLY	22	FRT-203-01453	9 LEAF SPRING ASSEMBLY
3	FRT-203-02142	WEAR PAD ASSEMBLY	23	FRT-237-00329	CLAMP PLATE – U-BOLT
4	FRT-203-02444	SLIDER ANGLE	24	SXT-10-0018	U-BOLT WASHER – 3/4"
5	FRT-203-02113	MAIN RAIL – SLIDER	25	SXT-10-0017	U-BOLT NUT – 3/4"
6	FRT-203-02124	CENTRE HANGER ASSEMBLY	26	FRT-203-01381	RADIUS ROD – ADJUSTABLE
7	FRT-237-00427	EQUALISER BEAM – 2.7 MT	27	FRT-203-00051	RADIUS ROD SCREW 190mm
8	FRT-203-01873	EQUALISER BEAM – 3.1 MT		FRT-203-00010	RADIUS ROD SCREW 340mm
9	FRT-203-02414	SHAFT – EQUALISER		FRT-203-01879	RADIUS ROD SCREW 450mm
10	FRT-203-02147	EQUALISER BUSH – INNER	28	FRT-203-01429	L.H RADIUS ROD END
11	FRT-237-00433	CAST CONE – EQUALISER	29	FRT-203-01430	R.H RADIUS ROD END
12	FRT-203-01525	EQUALISER BUSH – OUTER	30	FRT-237-00384	FIXED RADIUS ROD 343mm
13	FRT-237-00436	WASHER – CAST		FRT-237-00321	FIXED RADIUS ROD 492mm
14	HDW-NYF-1500	1 1/2" NYLOC NUT		FRT-237-00421	FIXED RADIUS ROD 578mm
15	FRT-203-02118	REAR HANGER ASSEMBLY	31	FRT-203-02247	PIN – RADIUS ROD
16	FRT-203-02117	SPRING SLIPPER	32	HDW-NYF1000-12T	NYLOC NUT – 1" UNF (12TPI)
17	HDW-NYF-0500	1/2" NYLOC NUT	33	SXT-09-9166	WASHER – 1"
18	HDW-B-0500-52	BOLT – 5 1/2" x 1/2"	34	FRT-237-00434	CAST CONE – RADIUS ROD
19	FRT-203-02011	U-BOLT - 310mm x 127mm	35	FRT-203-01314	BUSH – INNER RADIUS ROD
20	FRT-203-02012	U-BOLT – 325mm x 127mm	36	FRT-203-01315	BUSH – OUTER RADIUS ROD
	FRT-237-00411	RADIUS ROD MOUNT	37	FRT-245-00630	LOCKING BAR ASSEMBLY
	FRT-237-00407	AXLE SADDLE	38	FRT-245-00627	RETAINING PIN ASSEMBLY



5-1

FREIGHTER TAA39 SUSPENSION



ITEM	PART NUMBER	DESCRIPTION	ITEM	PART NUMBER	DESCRIPTION
2*	FRT-161-07001	FRONT HANGER ASSEMBLY	13	FRT-161-07052	EQUALISER C/W BUSH
3	FRT-161-07003	RADIUS ROD – ADJUSTABLE	14	HDW-B-0625-52	BOLT – 5 1/2" x 5/8"
4	FRT-203-01453	9 LEAF SPRING ASSEMBLY		HDW-NYF-0625	5/8" NYLOC NUT
	FRT-161-07021	3 LEAF SPRING ASSEMBLY	15	FRT-237-00445	REAR HANGER
5	FRT-203-02012	U-BOLT - 325mm x 127mm x 3/4"	16*		AXLE SADDLE – ROUND
	FRT-161-07022	U-BOLT – 131/2" X 3 1/2" X 7/8"			AXLE SADDLE – SQUARE
6	SXT-10-0017	NUT – 3/4" U-BOLT	17*		BOTTOM PLATE – SQUARE
	SXT-10-0015	NUT – 7/8" U-BOLT		FRT-161-07027	BOTTOM PLATE - ROUND
7	SXT-10-0018	WASHER – 3/4" U-BOLT	19	FRT-161-07002	RADIUS ROD – FIXED
	SXT-10-0016	WASHER – 7/8" U-BOLT	20	SXT-09-9166	WASHER – 1"
8	FRT-161-07008	SPRING TOP	21	SXT-09-9254	BOLT – 5" x 1"
	FRT-237-00329	TOP U-BOLT CLAMP PLATE	22	HDW-NYF1000-14T	1" NYLOC NUT
9*	FRT-161-07015	EQUALISER HANGER	23	FRT-203-02613	AXLE PACKER
10	FRT-161-07019	PIN – EQUALISER	36	SXT-09-9157	BUSH – RADIUS ROD 1" I.D
11	FRT-161-07017	DOUBLE WASHER	37	FRT-161-07025	EQUALISER BUSH

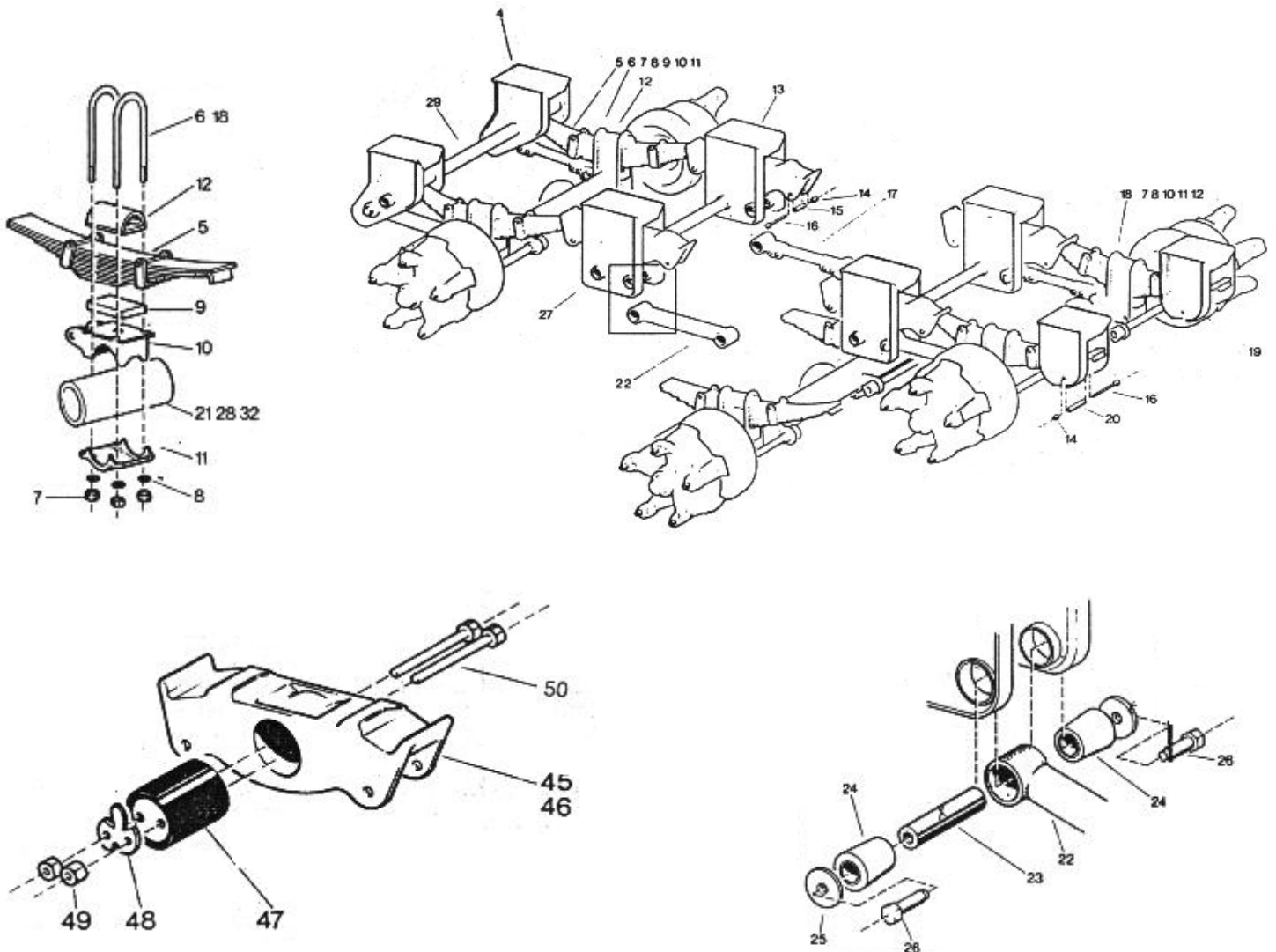


12	HDW-NYF-0625	5/8" NYLOC NUT			
----	--------------	----------------	--	--	--

ITEMS MARKED WITH A * ARE NO LONGER AVAILABLE AS A GENUINE PART

5-2

FREIGHTER TAA49 SUSPENSION



ITEM	PART NUMBER	DESCRIPTION	ITEM	PART NUMBER	DESCRIPTION
------	-------------	-------------	------	-------------	-------------

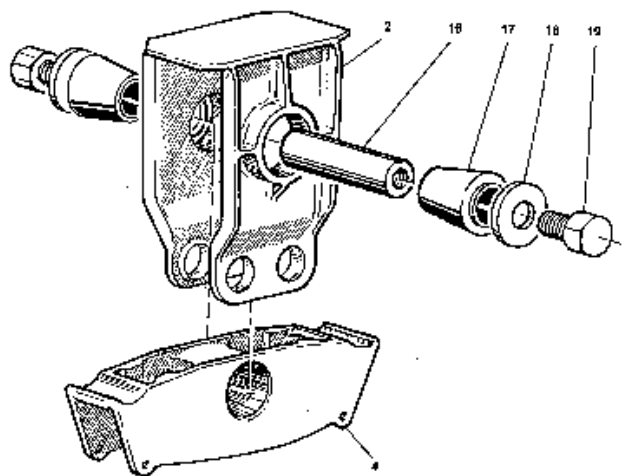
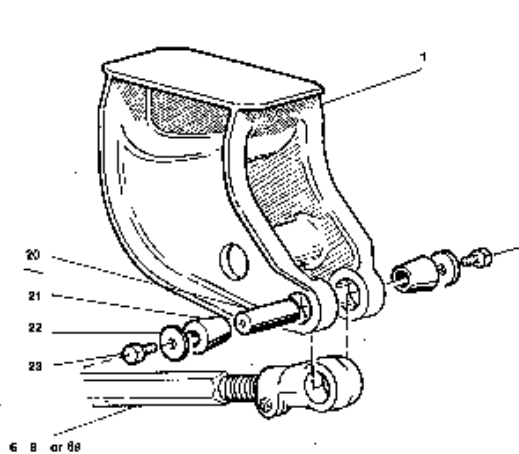
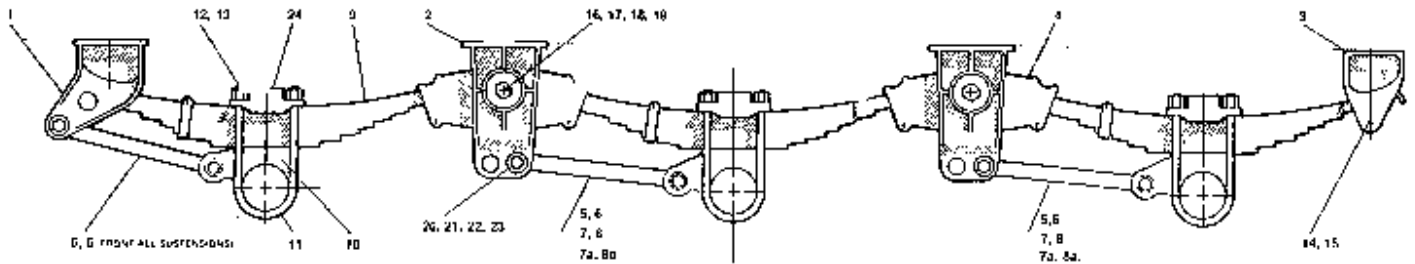


4	FRT-237-00443	FRONT HANGER ASSEMBLY	17	FRT-203-02527	RADIUS ROD – ADJUSTABLE
5	FRT-203-01453	9 LEAF SPRING ASSEMBLY	18	FRT-161-07022	U-BOLT – 13 1/2" X 3 1/2" X 7/8"
6	FRT-161-07011	U-BOLT – 14 1/2" x 3 1/2" x 7/8"	19	FRT-237-00445	REAR HANGER ASSEMBLY
7	SXT-10-0015	7/8" NUT – U-BOLT	20	FRT-161-07050	TUBE – KEEPER BOLT
8	SXT-10-0018	7/8" WASHER – U-BOLT	22	FRT-237-00456	RADIUS ROD – FIXED
9	FRT-203-02614	16mm AXLE PACKER	23	SXT-09-9240	PIN ASSEMBLY – RADIUS ROD
	FRT-203-01109	20mm AXLE PACKER	24	SXT-09-9156	BUSH – RADIUS ROD
10	FRT-237-00447	AXLE SADDLE	25	SXT-09-9166	1" WASHER
11	FRT-161-07027	BOTTOM PLATE – U-BOLT	27*	FRT-161-07039	EQUALISER HANGER – L.H
12	FRT-161-07008	SPRING TOP	45	FRT-161-07052	EQUALISER BEAM C/W BUSH
13*	FRT-161-07040	EQUALISER HANGER – R.H	47	FRT-161-07025	BUSH ONLY – EQUALISER
14	HDW-NYF-0625	5/8" NYLOC NUT	48	FRT-161-07017	DOUBLE WASHER
15	FRT-161-07049	TUBE	49	HDW-NYF-0625	5/8" NYLOC NUT
16	HDW-B-0625-52	BOLT – 5 1/2" X 5/8"	50	FRT-161-07019	EQUALISER PIN

ITEMS MARKED WITH A * ARE NO LONGER AVAILABLE AS A GENIUNE PART

5-3

FREIGHTER VE50 SUSPENSION



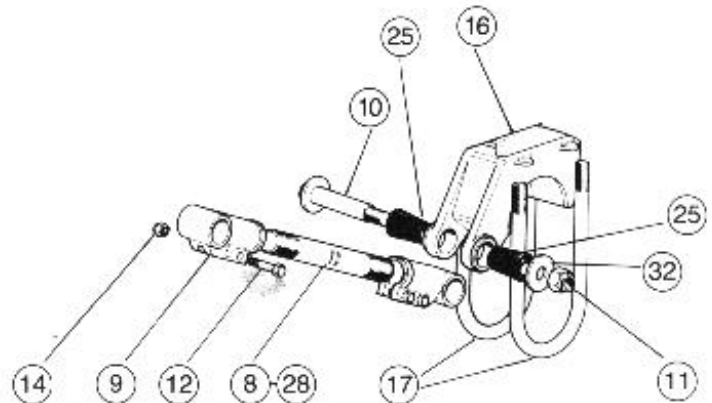
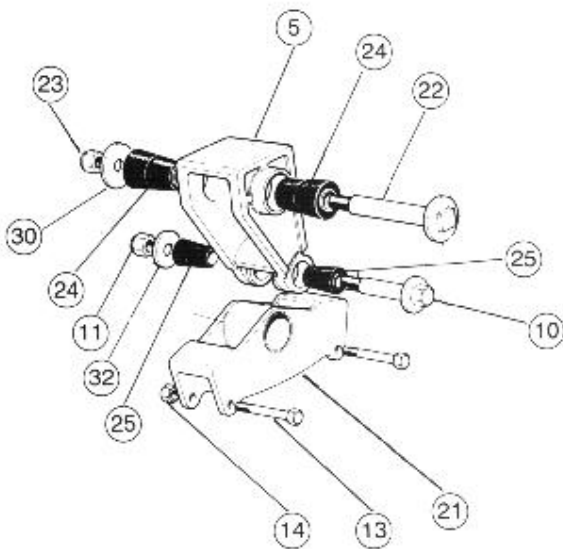
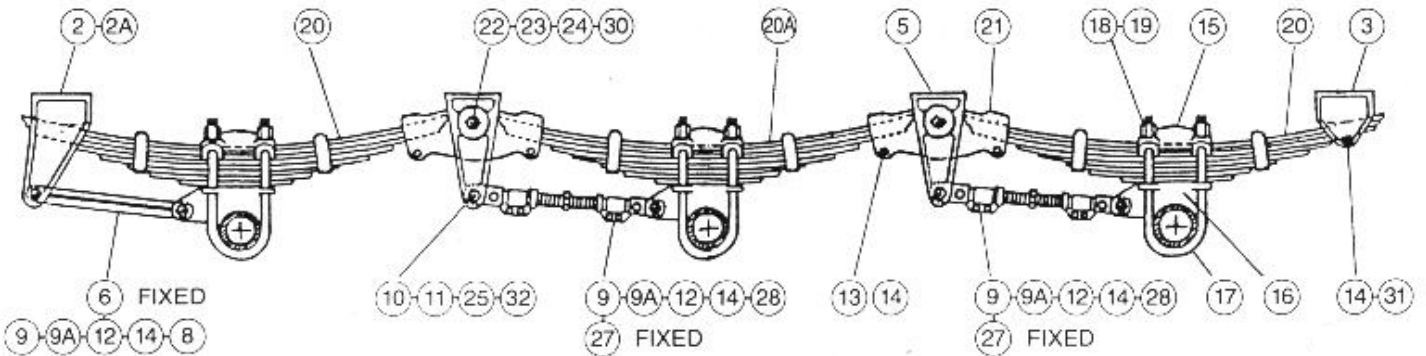
ITEM	PART NUMBER	DESCRIPTION	ITEM	PART NUMBER	DESCRIPTION
------	-------------	-------------	------	-------------	-------------



1	FRT-237-00443	FRONT HANGER	13	SXT-10-0017	NUT – ¾” UNF
2	FRT-237-00444	CENTRE HANGER	14	HDW-B-0625-52	BOLT – 5/8” x 5 ½” UNF
3	FRT-237-00445	REAR HANGER	15	HDW-NYF-0625	NYLOC NUT – 5/8” UNF
4	FRT-237-00446	EQUALISER – 2.4MT	16	SXT-09-9302	EQUALISER PIN ASSEMBLY
	FRT-237-00437	EQUALISER – 2.7MT	17	SXT-09-9205	EQUALISER BUSH
	FRT-237-00453	EQUALISER – 3.1MT	18	SXT-09-9304	WASHER – EQUALISER PIN
5	FRT-237-00456	RADIUS ROD – FIXED 432mm	19	HDW-NYF1000-12T	NYLOC NUT – 1”
6	FRT-203-02527	RADIUS ROD – ADJ. 432mm	20	SXT-09-9240	RADIUS ROD PIN ASSEMBLY
7	FRT-237-00455	RADIUS ROD – FIXED 505mm	21	SXT-09-9156	RADIUS ROD BUSH
7a	FRT-203-02542	RADIUS ROD – FIXED 600mm	22	SXT-09-9166	WASHER – 1”
8	FRT-203-02541	RADIUS ROD – ADJ. 505mm	23	HDW-NYF1000-12T	NYLOC NUT – 1”
8a	FRT-203-02544	RADIUS ROD – ADJ. 600mm	24	FRT-237-00329	CLAMP PLATE ASSEMBLY
9	FRT-203-01453	SPRING ASSEMBLY – 9 LEAF	25	STL-PB-032	PIPE – 32mm
10	FRT-237-00447	AXLE SADDLE – ROUND			
11	FRT-203-02011	U-BOLT - 310mm x 127mm			
12	SXT-10-0018	WASHER – ¾”			

5-4

YORK / MACTECO SUSPENSION



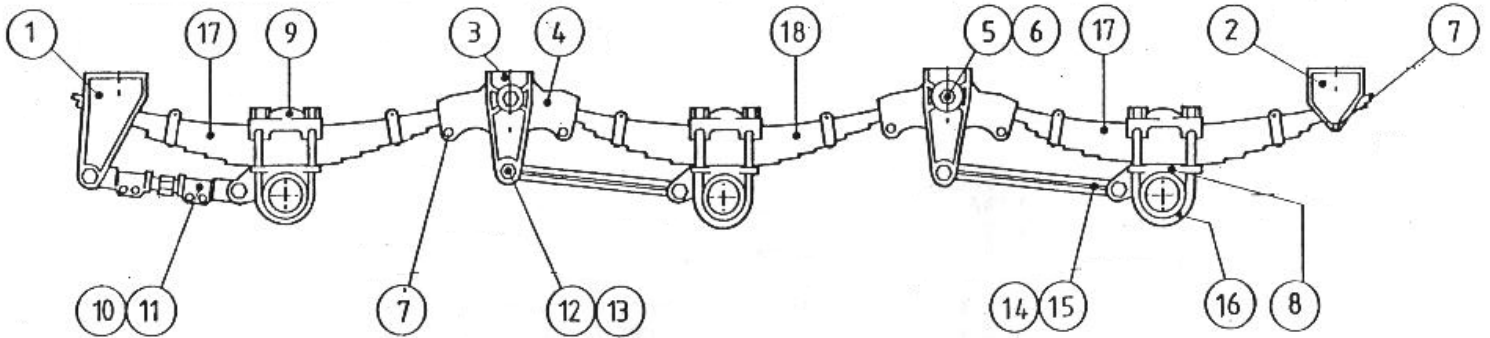
ITEM	PART NUMBER	DESCRIPTION	ITEM	PART NUMBER	DESCRIPTION
------	-------------	-------------	------	-------------	-------------



2	SXT-09-9382	FRONT HANGER	18	SXT-10-0015	NUT - 7/8" U-BOLT
3	SXT-09-9378	REAR HANGER	19	SXT-10-0016	WASHER - 7/8" U-BOLT
5	SXT-09-9383	CENTRE HANGER - 8'1"	20	SXT-09-9423	SPRING - 8 LEAF (HOE)
	SXT-09-9384	CENTRE HANGER - 10'1"	20A	SXT-09-9429	SPRING - 9 LEAF (HOE)
6	SXT-09-9273	FIXED RADIUS ROD 395mm		SXT-09-9424	SPRING - 8 LEAF (HBE)
8	SXT-09-9269	ADJUSTING SCREW		SXT-09-9430	SPRING - 9 LEAF (HBE)
9	SXT-09-9274	R.H RADIUS ROD END	21	SXT-09-9365	8'1" EQUALISER BEAM
9A	SXT-09-9275	L.H RADIUS ROD END		SXT-09-9366	9'1" EQUALISER BEAM
10	SXT-09-9240	RADIUS ROD PIN ASSY.		SXT-09-9369	10'1" EQUALISER BEAM
11	HDW-NYF1000-12T	1" NYLOC NUT	22	SXT-09-9302	EQUALISER PIN ASSY.
12	HDW-B-0500-22	BOLT - 1/2" X 2 1/2"	23	HDW-NYF1000-12T	1" NYLOC NUT
13	HDW-B-0500-50	BOLT - 1/2" X 5"	24	SXT-09-9205	EQUALISER BUSH
14	HDW-NYF-0500	1/2" NYLOC NUT	25	SXT-09-9156	RADIUS ROD BUSH
15	SXT-09-9381	SPRING CLAMP PLATE	27	SXT-09-9272	FIXED RADIUS ROD 495mm
16	SXT-09-9380	AXLE SADDLE - 1" HIGH			FIXED RADIUS ROD 480mm
	SXT-09-9379	AXLE SADDLE - 3" HIGH	28	SXT-09-9268	SCREW - LONG
17	SXT-10-0000	U-BOLT 13 1/2" X 5" X 7/8"	30	SXT-09-9304	WASHER - EQUALISER PIN
	SXT-10-0001	U-BOLT 15 1/2" X 5" X 7/8"	32	SXT-09-9166	WASHER-RADIUS ROD PIN
	SXT-10-0002	U-BOLT 17 1/2" X 5" X 7/8"			

5-5

HAULMARK / E.T.E SUSPENSION



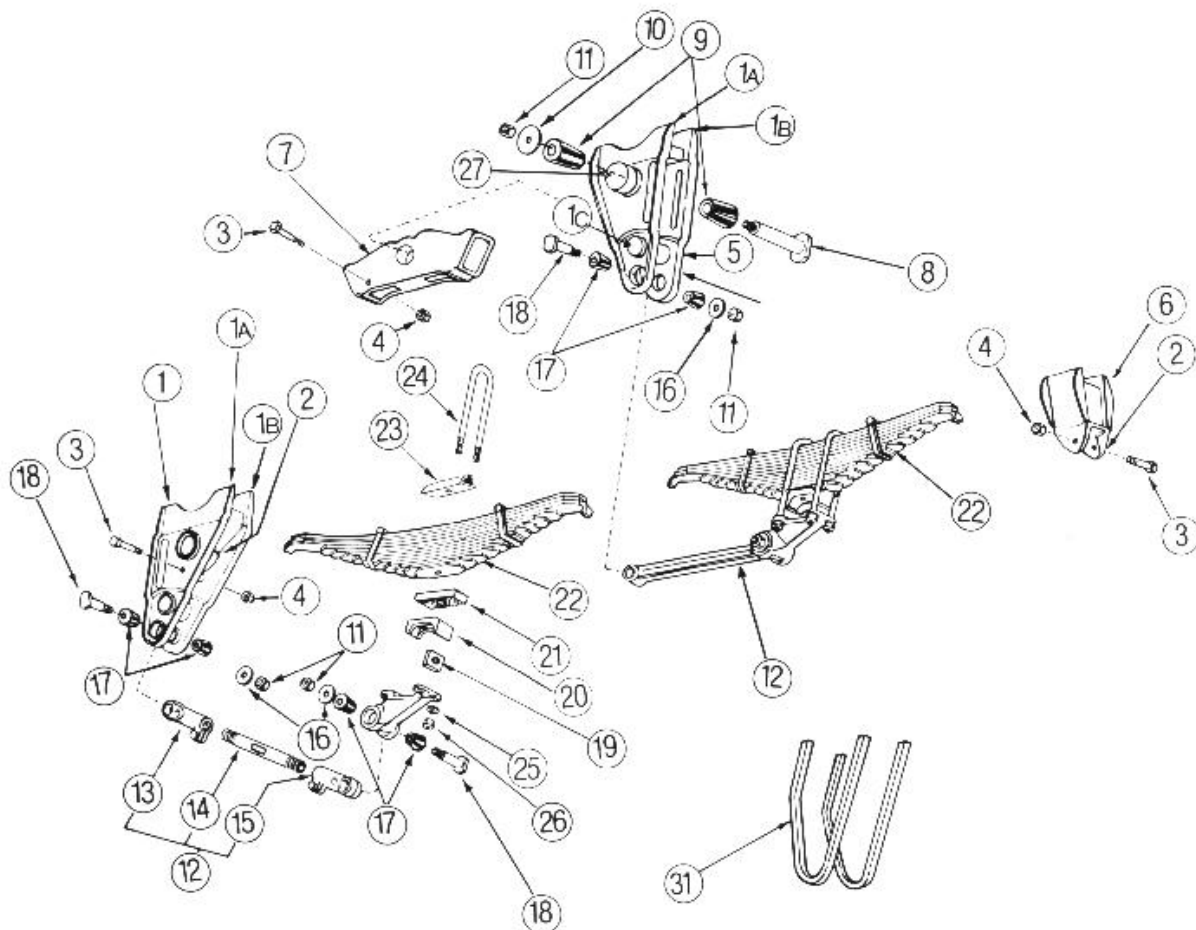
ITEM	PART NUMBER	DESCRIPTION	ITEM	PART NUMBER	DESCRIPTION
------	-------------	-------------	------	-------------	-------------



1	SXT-09-9375	FRONT HANGER	12	SXT-09-9259	BOLT – 6" x 7/8" UNF
2	SXT-09-9378	REAR HANGER		HDW-NYF-0875	NYLOC NUT – 7/8" UNF
3	SXT-09-9376	8'1" CENTRE HANGER		SXT-10-0016	WASHER – 7/8"
	SXT-09-9377	10'1" CENTRE HANGER	13	SXT-09-9163	BUSH – 7/8" PARALLEL
4	SXT-09-9365	8'1" EQUALISER BEAM	14	SXT-09-9262	FIXED RADIUS ROD 495mm
	SXT-09-9366	9'1" EQUALISER BEAM	15	SXT-09-9268	SCREW – LONG
	SXT-09-9369	10'1" EQUALISER BEAM		SXT-09-9266	R.H RADIUS ROD END
5	SXT-09-9205	EQUALISER BUSH		SXT-09-9267	L.H RADIUS ROD END
6	SXT-09-9302	EQUALISER PIN ASSY.		HDW-B-0500-20	BOLT – 2" x 1/2" UNF
	SXT-09-9304	WASHER – EQUALISER		HDW-NYF-0500	NYLOC NUT – 1/2" UNF
	HDW-NYF1000-12T	1" NYLOC NUT	16	SXT-10-0000	U-BOLT 13 1/2" X 5" X 7/8"
7	HDW-B-0500-52	BOLT – 5 1/2" x 1/2"		SXT-10-0001	U-BOLT 15 1/2" X 5" X 7/8"
	HDW-NYF-0500	NYLOC NUT – 1/2"		SXT-10-0002	U-BOLT 17 1/2" X 5" X 7/8"
8	SXT-09-9380	1" AXLE SADDLE		SXT-10-0015	7/8" NUT – U-BOLT
	SXT-09-9379	3" AXLE SADDLE		SXT-10-0016	7/8" WASHER – U-BOLT
9	SXT-09-9381	SPRING TOP	17	SXT-09-9440	10 LEAF SPRING ASSEMBLY – FRONT AND REAR
10	SXT-09-9263	FIXED RADIUS ROD 395mm	18	SXT-09-9445	10 LEAF SPRING ASSEMBLY – CENTRE
11	SXT-09-9269	SCREW – SHORT			
	SXT-09-9266	R.H RADIUS ROD END			
	SXT-09-9267	L.H RADIUS ROD END			
	HDW-B-0500-20	BOLT – 2" x 1/2"			
	HDW-NYF-0500	NYLOC NUT – 1/2"			

5-6

FRUEHAUF 'F' TYPE SUSPENSION

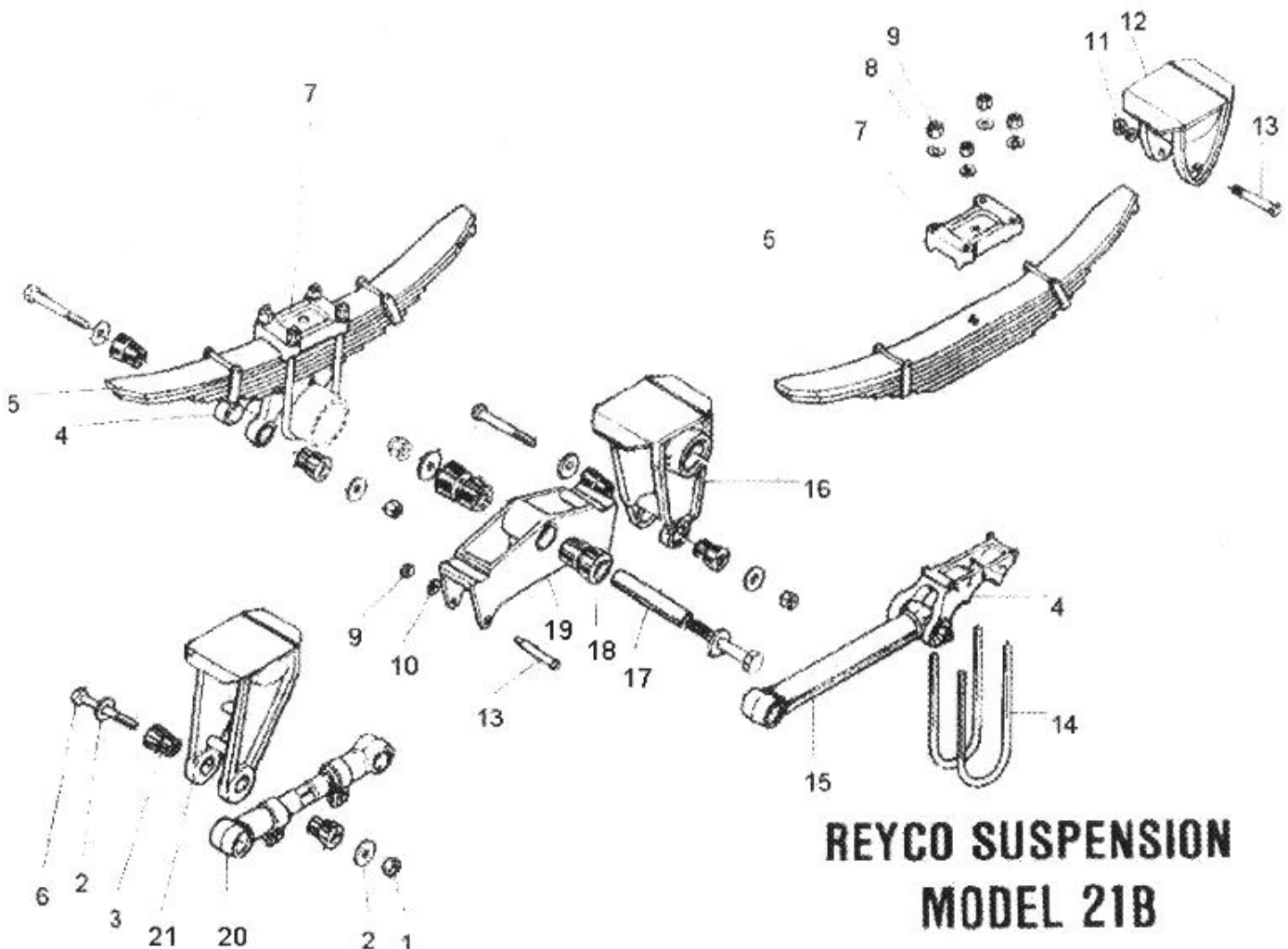




ITEM	PART NUMBER	DESCRIPTION	ITEM	PART NUMBER	DESCRIPTION
1	FHF-ULA-27721	FRONT HANGER ASSEMBLY	16	SXT-09-9166	WASHER – 1”
1A	TAY-GT-901	BOSS – HANGER	17	SXT-09-9156	BUSH – RADIUS ROD
2	FHF-ULA-9468-1	WEAR PAD	18	SXT-09-9240	PIN ASSEMBLY – RADIUS ROD
3	HDW-B-0625-52	BOLT – 5 ½” x 5/8”	19	FHF-ULA-8960	SADDLE REINFORCEMENT
4	HDW-NYF-0625	NYLOC NUT – 5/8”	20	FHF-AXA-0512	SPRING CHAIR – SQUARE
5	FHF-ULA-27722	CENTRE HANGER ASSY.		FHF-UXA-0047	SPRING CHAIR – ROUND
6	FHF-ULA-15196	REAR HANGER ASSY.	21	SXT-09-9760	1” AXLE PACKER
7	SXT-09-9355	8’1” EQUALISER BEAM	22	SXT-09-9404	13 LEAF SPRING ASSEMBLY
	FHF-ULA-21381	9’1” EQUALISER BEAM	23	FHF-ULA-4613	SPRING TOP
	SXT-09-9356	10’1” EQUALISER BEAM	24	SXT-10-0003	U-BOLT – 13 ½” x 3” x 7/8”
8	SXT-09-9302	EQUALISER PIN ASSY.		SXT-10-0004	U-BOLT – 15 ½” x 3” x 7/8”
9	SXT-09-9205	EQUALISER BUSH		SXT-10-0005	U-BOLT – 17 ½” x 3” x 7/8”
10	SXT-09-9304	WASHER – EQUALISER PIN	25	SXT-10-0016	7/8” WASHER – U-BOLT
11	HDW-NYF1000-12T	1” NYLOC NUT	26	SXT-10-0015	7/8” NUT – U-BOLT
12	FHF-UXA-0026	RADIUS ROD – FIXED	28	FHF-ULA-9762	HANGER BAND
13	SXT-09-9278	R.H RADIUS ROD END	29	FHF-AXA-0495	RADIUS ROD BRACKET – SQUARE
14	FHF-ULA-16366-1	SCREW – RADIUS ROD		FHF-UXA-0028	RADIUS ROD BRACKET – ROUND
15	SXT-09-9279	L.H RADIUS ROD END			

5-7

REYCO 21B SUSPENSION



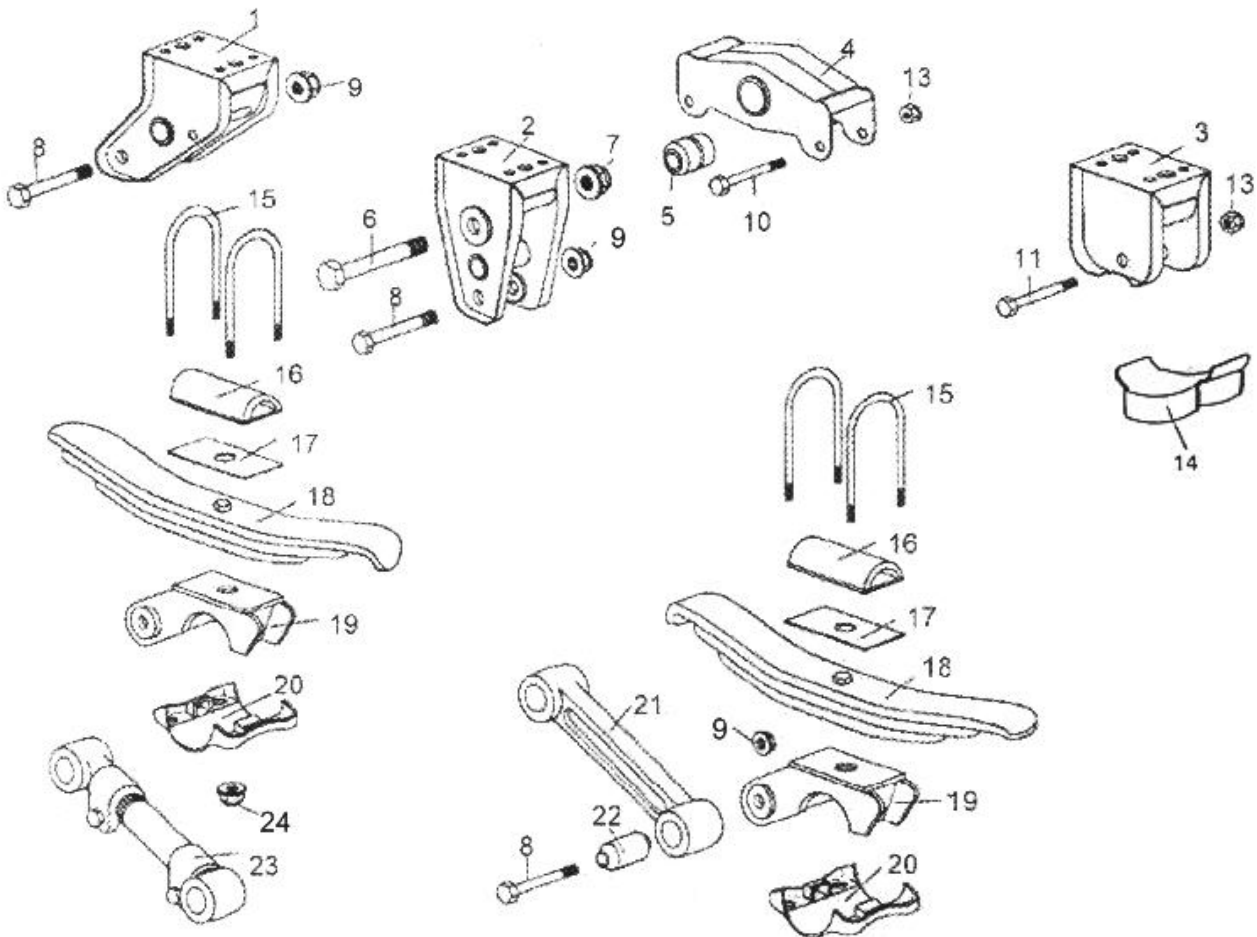


ITEM	PART NUMBER	DESCRIPTION	ITEM	PART NUMBER	DESCRIPTION
1	HDW-NYF1000-14T	1" NYLOC NUT	13	HDW-B-0500-50	BOLT – ½" X 5" UNF
2	SXT-09-9166	1" WASHER	14	SXT-10-0000	U-BOLT – 13 ½" x 5" x 7/8"
3	SXT-19-1704	RADIUS ROD BUSH		SXT-10-0001	U-BOLT – 15 ½" x 5" x 7/8"
4*	SXT-19-1300	AXLE SADDLE – F & R		SXT-10-0002	U-BOLT – 17 ½" x 5" x 7/8"
*	SXT-19-1301	AXLE SADDLE – CENTRE	15*	SXT-19-1702	FIXED RADIUS ROD 410mm
5	SXT-09-9423	8 LEAF SPRING PACK (HOE)	*	SXT-19-1703	FIXED RADIUS ROD 500mm
	SXT-09-9424	8 LEAF SPRING PACK (HBE)	16*	SXT-19-1002	CENTRE HANGER
6	SXT-19-1706	BOLT – RADIUS ROD	17	SXT-19-1607	EQUALISER PIN ASSEMBLY
7*	SXT-19-1303	SPRING TOP – F & R AXLE	18	SXT-19-1602	EQUALISER BUSH
*	SXT-19-1304	SPRING TOP – CENTRE	19	SXT-19-1600	EQUALISER BEAM
8	SXT-10-0016	7/8" WASHER – U-BOLT	20*	SXT-19-1700	ADJUSTABLE RADIUS ROD 410mm
9	SXT-10-0015	7/8" NUT – U-BOLT	*	SXT-19-1701	ADJUSTABLE RADIUS ROD 500mm
11	HDW-NYF-0500	½" NYLOC NUT	21*	SXT-19-1000	FRONT HANGER – R.H
12*	SXT-19-1003	REAR HANGER – R.H	*	SXT-19-1001	FRONT HANGER – L.H
*	SXT-19-1004	REAR HANGER – L.H			

ITEMS MARKED WITH * ARE PART NUMBERS NO LONGER LISTED IN PRICE LIST

5-8

TRANSPRO MODEL 88 SUSPENSION



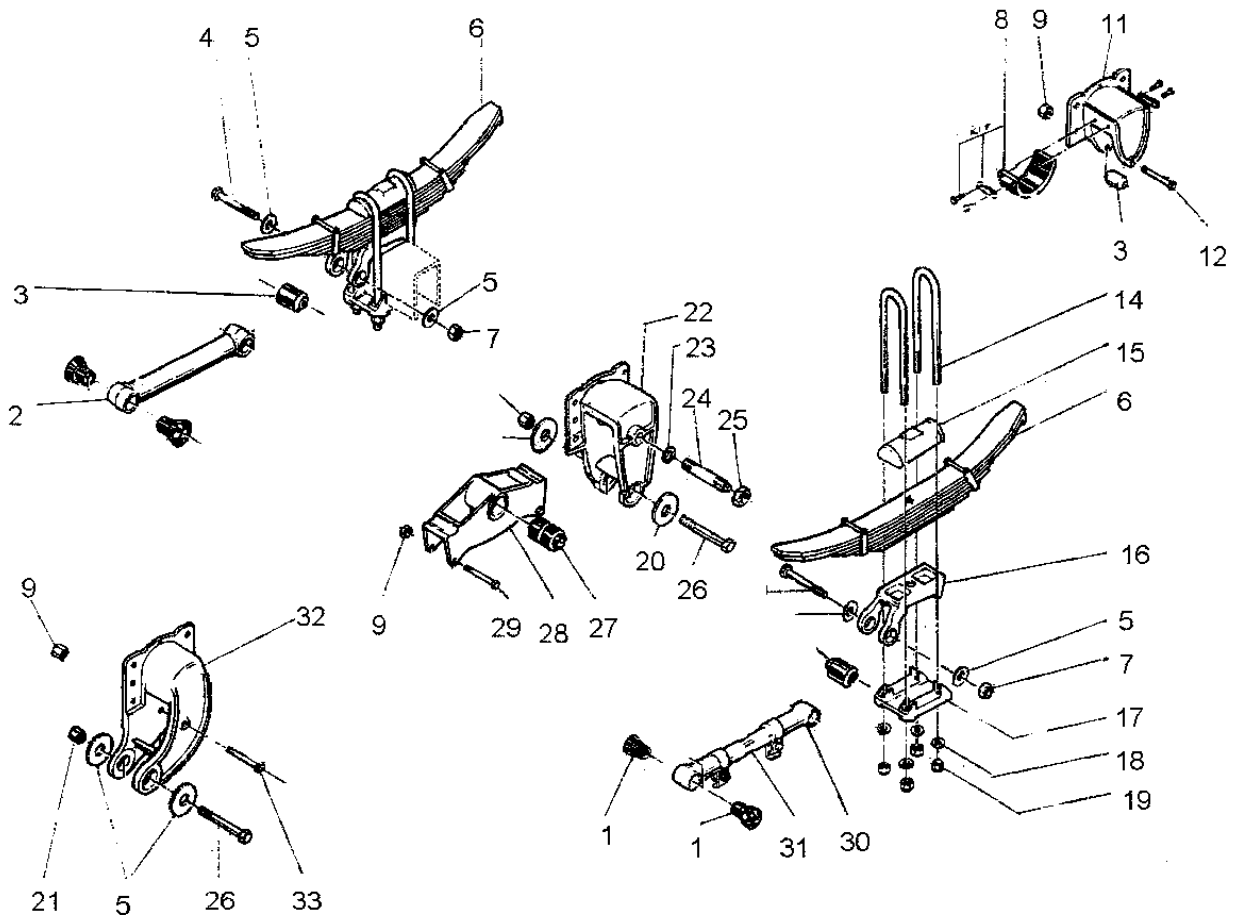


ITEM	PART NUMBER	DESCRIPTION	ITEM	PART NUMBER	DESCRIPTION
1*	SXT-19-3000	FRONT HANGER	16*	SXT-19-3304	TOP PLATE
2*	SXT-19-3001	EQUALISER HANGER	17	SXT-19-3102	DELRIN LINER
3*	SXT-19-3002	REAR HANGER	18	SXT-09-9423	8 LEAF SPRING – F & R
4	SXT-19-3600	8'1" EQUALISER WITH BUSH		SXT-09-9424	8 LEAF SPRING – CENTRE
5	SXT-19-3607	BUSH ONLY – EQUALISER		SXT-19-3100	3 LEAF SPRING-LOW FRONT
	TAY-GT-1114	BUSH ONLY - GENUINE		SXT-19-3101	3 LEAF SPRING-LOW CENTRE
6	SXT-19-3604	BOLT – EQUALISER			3 LEAF SPRING-MED. FRONT
7	HDW-NYF1000-14T	1" NYLOC NUT		SXT-19-3103	3 LEAF SPRING-MED. CENTRE
8	SXT-09-9258	BOLT – 5 1/2" x 7/8" UNF		SXT-19-3104	3 LEAF SPRING-HIGH FRONT
9	HDW-NYF-0875	7/8" NYLOC NUT		SXT-19-3104	3 LEAF SPRING-HIGH CENTRE
10	HDW-B-0625-42	BOLT – 4 1/2" x 5/8"	19*	SXT-19-3300	AXLE SADDLE – 1" HIGH
11	HDW-B-0625-52	BOLT – 5 1/2" x 5/8"	20*	SXT-19-3305	BOTTOM PLATE
13	HDW-NYF-0625	5/8" NYLOC NUT	21	SXT-19-3701	RADIUS ROD – FIXED
14	SXT-19-3608	WEAR PAD – REAR HANGER	22	SXT-09-9163	7/8" BUSH – RADIUS ROD
15	SXT-10-0003	U-BOLT – 13 1/2" x 3" x 7/8"	23*	SXT-19-3701	RADIUS ROD - ADJUSTABLE
	SXT-10-0004	U-BOLT – 15 1/2" x 3" x 7/8"			
	SXT-10-0005	U-BOLT – 17 1/2" x 3" x 7/8"			

ITEMS MARKED WITH A * ARE PART NUMBERS NOT CURRENTLY LISTED IN PRICE LIST

5-9

REYCO 102W TRUCK SUSPENSION





ITEM	PART NUMBER	DESCRIPTION	ITEM	PART NUMBER	DESCRIPTION
1	SXT-19-2721	BUSH-RADIUS ROD	18	SXT-10-0018	WASHER – ¾”
2	SXT-19-2710	RADIUS ROD 20 ½”	19	SXT-10-0019	NYLOC NUT-U-BOLT
	SXT-19-2711	RADIUS ROD 21 ½”	20	SXT-09-9166	WASHER – 1”
3	SXT-09-9159	BUSH-RADIUS ROD 7/8”	21	HDW-NYC-1000	NUT – 1” NYLOC UNC
4	SXT-09-9259	BOLT – 7/8” X 5 ½”	22	SXT-19-2002A	HANGER – STD.
5	SXT-10-0016	WASHER – 7/8”		SXT-19-2002B	HANGER – FORD
6	SXT-19-2112	SPRING – 15 LEAF		SXT-19-2002C	HANGER–KENWORTH
7	HDW-NYF-0875	NUT – 7/8” NYLOC	23	SXT-19-2605	LOCK WASHER
8	SXT-19-2006	WEAR PAD SET	24	SXT-19-2602	EQUALISER PIN
9	HDW-NYF-0500	NUT – ½” NYLOC	25	SXT-19-2604	LOCKNUT
11	SXT-19-2003	R.H REAR HANGER	26	SXT-19-2725	BOLT – RADIUS ROD
	SXT-19-2004	L.H REAR HANGER	27	SXT-19-2603	BUSH – EQUALISER
12	HDW-B-0500-52	BOLT – ½” X 5 ½”	28	SXT-19-2600	EQUALISER BEAM
14	SXT-10-0009	U-BOLT – 16” x 3” x ¾”	29	HDW-B-0500-43	BOLT – ½” x 4 ¾”
	SXT-10-0010	U-BOLT – 17” x 3” x ¾”	30	SXT-19-2700	RADIUS ROD – 20 ½”
	SXT-10-0011	U-BOLT – 18” x 3” x ¾”		SXT-19-2701	RADIUS ROD – 21 ½”
15	SXT-19-2320	TOP PLATE	31	SXT-19-2702	SCREW – RADIUS ROD
16	SXT-19-2335	AXLE SEAT – 5” ROUND		SXT-19-2703	SCREW – RADIUS ROD
	SXT-19-2345	AXLE SEAT – SQUARE	32	SXT-19-2000	R.H FRONT HANGER
17	SXT-19-2305	BOTTOM PLATE-ROUND		SXT-19-2001	L.H FRONT HANGER
	SXT-19-2310	BOTTOM PLATE – SQ.	33	HDW-B-0500-45	BOLT – ½” X 4 ½”

5-10

SPRING ASSEMBLY



PART NUMBER	APPLICATION	NO. OF LEAFS	LENGTH	WIDTH	HOOKS
FRT-203-01453	FREIGHTER	9	1040mm	90mm	1
FRT-203-02150	FREIGHTER	10	1040mm	90mm	1
FRT-161-07021	FREIGHTER / HUTCH	3	1010mm	90mm	1
FHF-UCD-0511-1	FRUEHAUF	3	1070mm	75mm	1
SXT-09-9404	FRUEHAUF	13	1054mm	75mm	2
SXT-09-9414	MCGRATH – FRONT & REAR	14	1145mm	75mm	1
SXT-09-9415	MCGRATH - CENTRE	14	1080mm	75mm	2
SXT-09-9423	RUBERY OWEN / YORK / T.M.C	8	1105mm	75mm	1
SXT-09-9423	RUBERY OWEN / YORK / T.M.C	8	1080mm	75mm	2
SXT-09-9429	RUBERY OWEN / YORK / T.M.C	9	1105mm	75mm	1
SXT-09-9430	RUBERY OWEN / YORK / T.M.C	9	1080mm	75mm	2
SXT-09-9440	HAULMARK – FRONT & REAR	10	1130mm	75mm	1
SXT-09-9445	HAULMARK - CENTRE	10	1090mm	75mm	2
SXT-19-2112	REYCO – 102W TRUCK	15	1170mm	75mm	2
SXT-19-3100	TRANSPRO-LOW F & R (0079-02)	3	1100mm	75mm	1
SXT-19-3101	TRANSPRO-LOW CENTRE (0335-00)	3	1065mm	75mm	2
SXT-19-3103	TRANSPRO-HIGH F & R (0079-01)	3	1120mm	75mm	1
SXT-19-3104	TRANSPRO-HIGH CENTRE (0329-00)	3	1095mm	75mm	2

MAIN LEAFS



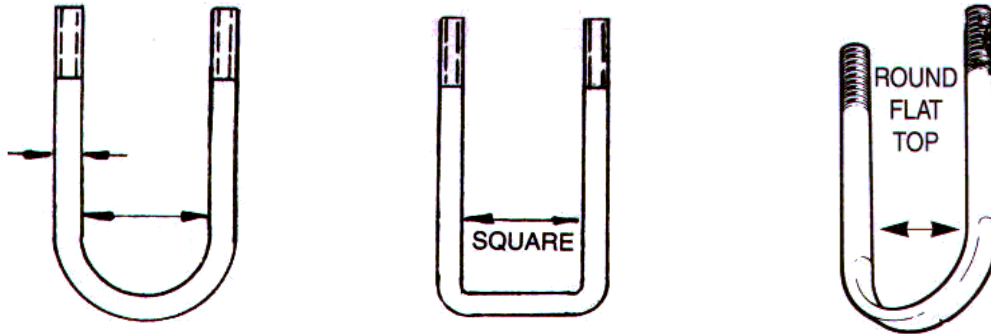
PART NUMBER	APPLICATION	LENGTH	WIDTH	THICKNESS
FRT-203-02364	FREIGHTER – MAIN LEAF	1040mm	90mm	11mm
FRT-203-02365	FREIGHTER – HOOK LEAF	1040mm	90mm	11mm
SXT-09-9405	FRUEHAUF – MAIN LEAF	1054mm	75mm	10mm
SXT-09-9407	FRUEHAUF – HOOK LEAF	1054mm	75mm	10mm
SXT-09-9416	MCGRATH – MAIN LEAF (F & R)	1145mm	75mm	10mm
SXT-09-9417	MCGRATH – HOOK LEAF (F & R)	1145mm	75mm	10mm
SXT-09-9425	RUBERY OWEN – MAIN LEAF	1105mm	75mm	13mm
SXT-09-9427	RUBERY OWEN – HOOK LEAF	1105mm	75mm	13mm
SXT-09-9441	HAULMARK – MAIN LEAF (F & R)	1130mm	75mm	11mm
SXT-09-9442	HAULMARK – HOOK LEAF (F & R)	1130mm	75mm	11mm
SXT-09-9443	HAULMARK – MAIN LEAF (CENTRE)	1090mm	75mm	11mm
SXT-09-9444	HAULMARK – HOOK LEAF (CENTRE)	1090mm	75mm	11mm
SXT-19-2113	REYCO TRUCK – 102W	1170mm	75mm	10mm

CENTRE BOLTS

PART NUMBER	DESCRIPTION	LENGTH	DIAMETER
SXT-09-9701	CENTRE BOLT AND NUT - MCGRATH	7"	3/8"
SXT-09-9702	CENTRE BOLT AND NUT – R.O / FREIGHTER	6"	1/2"
SXT-09-9703	CENTRE BOLT AND NUT - HAULMARK	6"	7/16"
SXT-09-9704	CENTRE BOLT AND NUT - REYCO	8"	1/2"
JSW-107	CENTRE BOLT AND NUT - HENDRICKSON	10"	1/2"
TPC-CB001	CENTRE BOLT AND NUT – B.P.W AIRBAG	110mm	16mm

5-11

U-BOLTS



PART NUMBER	APPLICATION	SHAPE	LENGTH	WIDTH	DIAMETER
FRT-161-07011	FREIGHTER – TAA49	ROUND	14 1/2"	3 1/2"	7/8"
FRT-161-07022	FREIGHTER - TAA49	ROUND	13 1/2"	3 1/2"	7/8"
FRT-203-01810	FREIGHTER	ROUND	381mm	133mm	3/4"
FRT-203-02011	FREIGHTER VE-50	ROUND	310mm	127mm	3/4"
FRT-203-02012	FREIGHTER VE-50	ROUND	325mm	127mm	3/4"
FRT-203-02149	FREIGHTER	ROUND	350mm	127mm	3/4"
SXT-10-0000	VARIOUS TRAILER	ROUND	13 1/2"	5"	7/8"
SXT-10-0001	VARIOUS TRAILER	ROUND	15 1/2"	5"	7/8"
SXT-10-0002	VARIOUS TRAILER	ROUND	17 1/2"	5"	7/8"
SXT-10-0003	VARIOUS TRAILER	ROUND	13 1/2"	3"	7/8"
SXT-10-0004	VARIOUS TRAILER	ROUND	15 1/2"	3"	7/8"
SXT-10-0005	VARIOUS TRAILER	ROUND	17 1/2"	3"	7/8"
SXT-10-0013	VARIOUS TRAILER	SQUARE	15 1/2"	5"	7/8"
SXT-10-0014	VARIOUS TRAILER	SQUARE	13 1/2"	5"	7/8"
HND-A-20032	HENDRICKSON HT230	ROUND	8"	6"	3/4"
HND-S-22237	HENDRICKSON HT250US	ROUND	7 1/2"	6"	3/4"



HND-S-3650	HENDRICKSON HT250U	ROUND	8 5/8"	6"	3/4"
TPC-0313844041	B.P.W – O.M SERIES	ROUND	301mm	125mm	M24
TPC-0313844080	B.P.W	ROUND	280mm	125mm	M24
ROR-2501236	R.O.R / R.F.S	ROUND FLAT	280mm	127mm	M24
YRK-506245-270	YORK – TECAIR 2	ROUND FLAT	270mm	127mm	M24
YRK-506245-290	YORK – TECAIR 2	ROUND FLAT	290mm	127mm	M24
YRK-506245-320	YORK – TECAIR 1	ROUND FLAT	320mm	127mm	M24



NUTS AND WASHERS

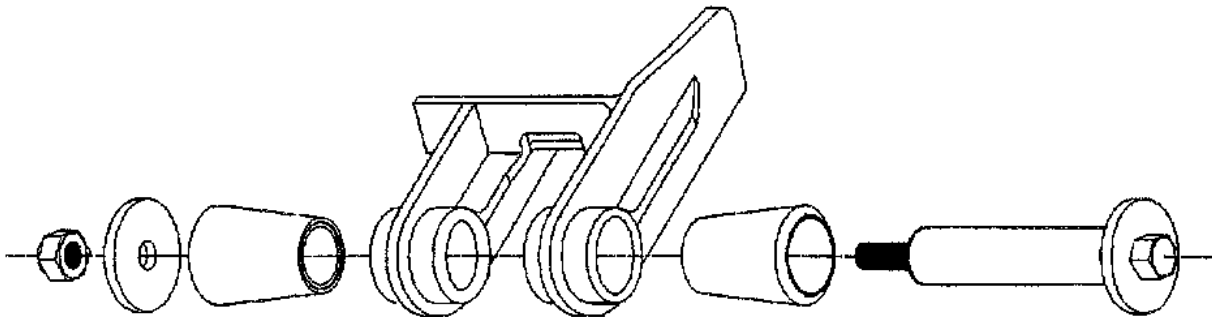


PART NUMBER	DESCRIPTION	SIZE	THREAD
SXT-10-0015	NUT – U-BOLT	7/8"	UNF
SXT-10-0016	WASHER – U-BOLT	7/8"	
SXT-10-0017	NUT – U-BOLT	3/4"	UNF
SXT-10-0018	WASHER – U-BOLT	3/4"	
TPC-0252207412	NUT – B.P.W U-BOLT	M24	UNC
ROR-2501213	NUT – R.O.R U-BOLT	M24	UNC

5-12

DRAWBAR ATTACHMENTS

EQP-DB-105 - ATTACHMENT SET INCLUDING 2 X DRAWBAR ENDS
 2 X PIN ASSEMBLIES
 4 X RUBBER BUSHES



EQP-DB-323197 - HANGER BRACKET – CAST (DRAWBAR ATTACHMENT)



